

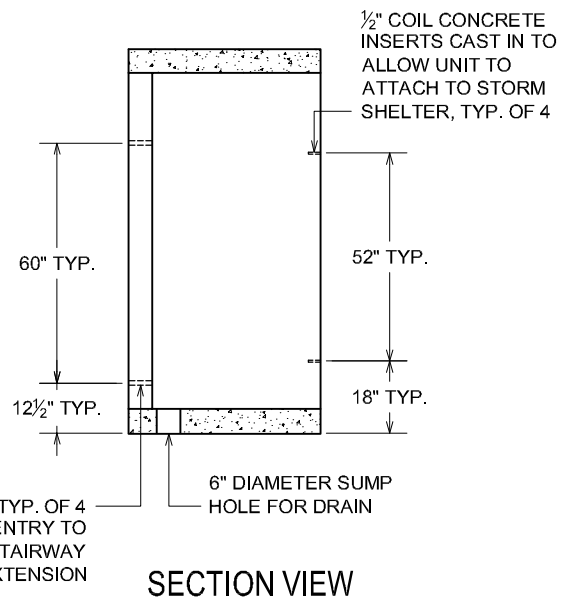
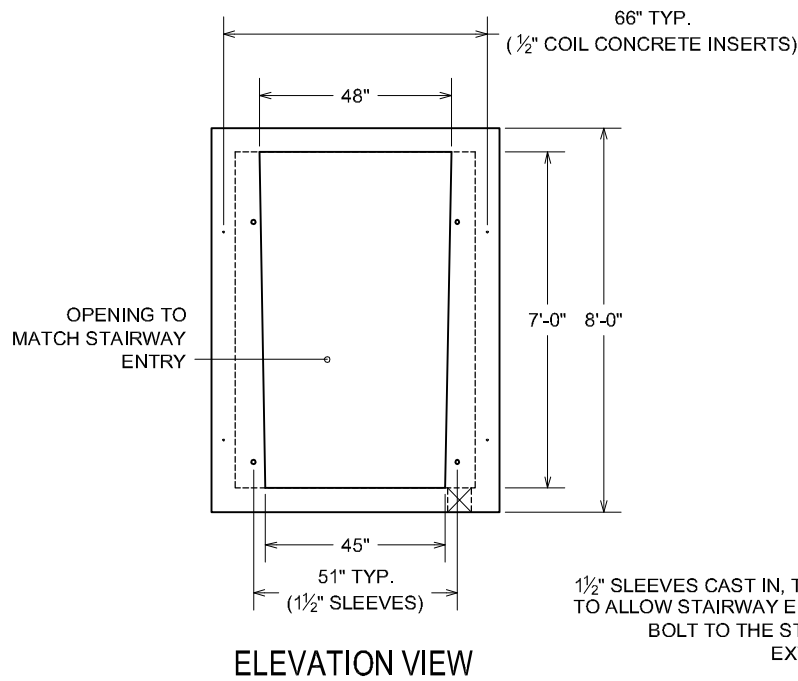
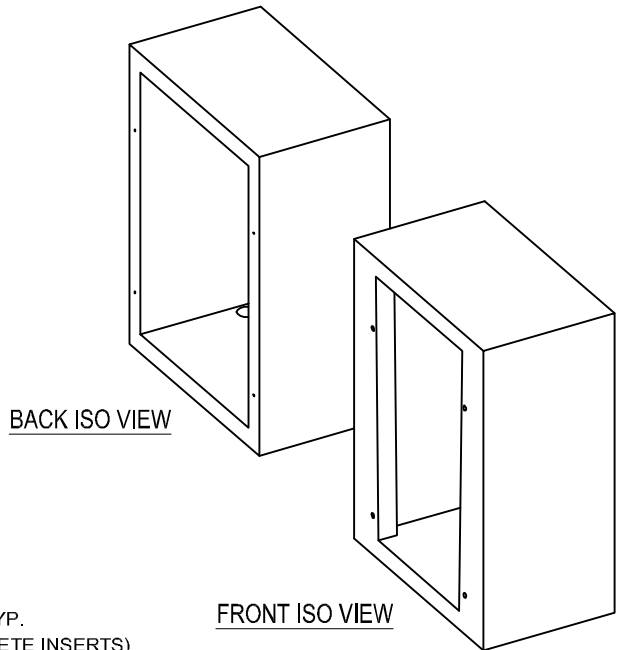
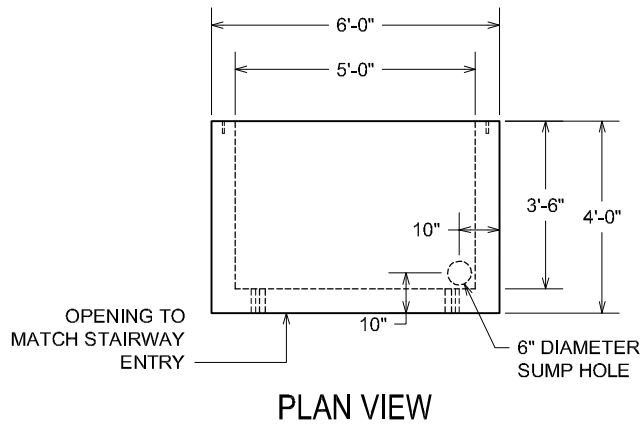
PRECAST CONCRETE BELOW GROUND (BG)

STAIRWAY EXTENSION

FOR USE WITH BELOW GROUND STORM SHELTERS WITH 36" DOORWAYS

5'-0" WIDE X 7'-0" TALL X 3'-6" DEEP INSIDE DIMENSIONS

VCP ITEM #SS-STAIRWAY EXTENSION-BG



UNIT WEIGHS APPROXIMATELY 8,300 LBS.

*ACTUAL DIMENSIONS OF CONCRETE PRODUCTS MAY VARY SLIGHTLY
*PRODUCT & DRAWING SUBJECT TO CHANGE WITHOUT NOTICE

NOTES:

- CONCRETE: 5,000 P.S.I. (MINIMUM)
- REINFORCING: GRADE 60; EQUAL TO #4 REBARS @ 12" O.C.E.W. (MIN.)

vaughn
concrete products, inc.

DRAWING NOT TO SCALE

SS-STAIRWAY EXTENSION-BG.DWG
DATE CREATED: 12/08
UPDATED: -----

12650 Tucson Street • Henderson, Colorado 80640 • 303-659-3747, Fax 303-659-1333
2671 South Greeley Hwy • Cheyenne, Wyoming 82007 • 307-634-0695, Fax 307-634-0694
10021 Amarillo Blvd East • Amarillo, Texas 79108 • 806-374-3747, Fax 806-335-3717