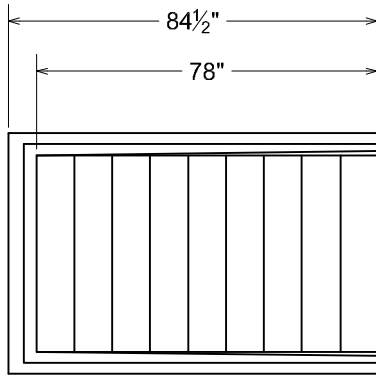
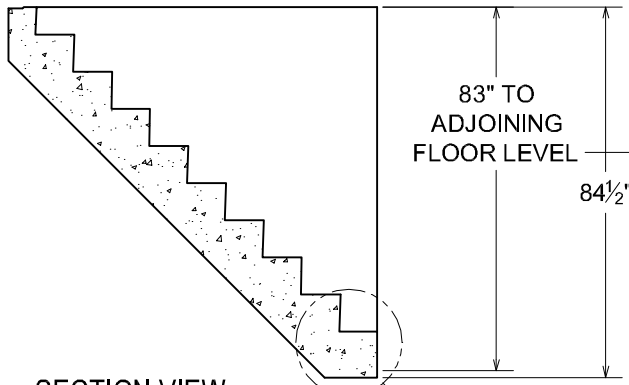
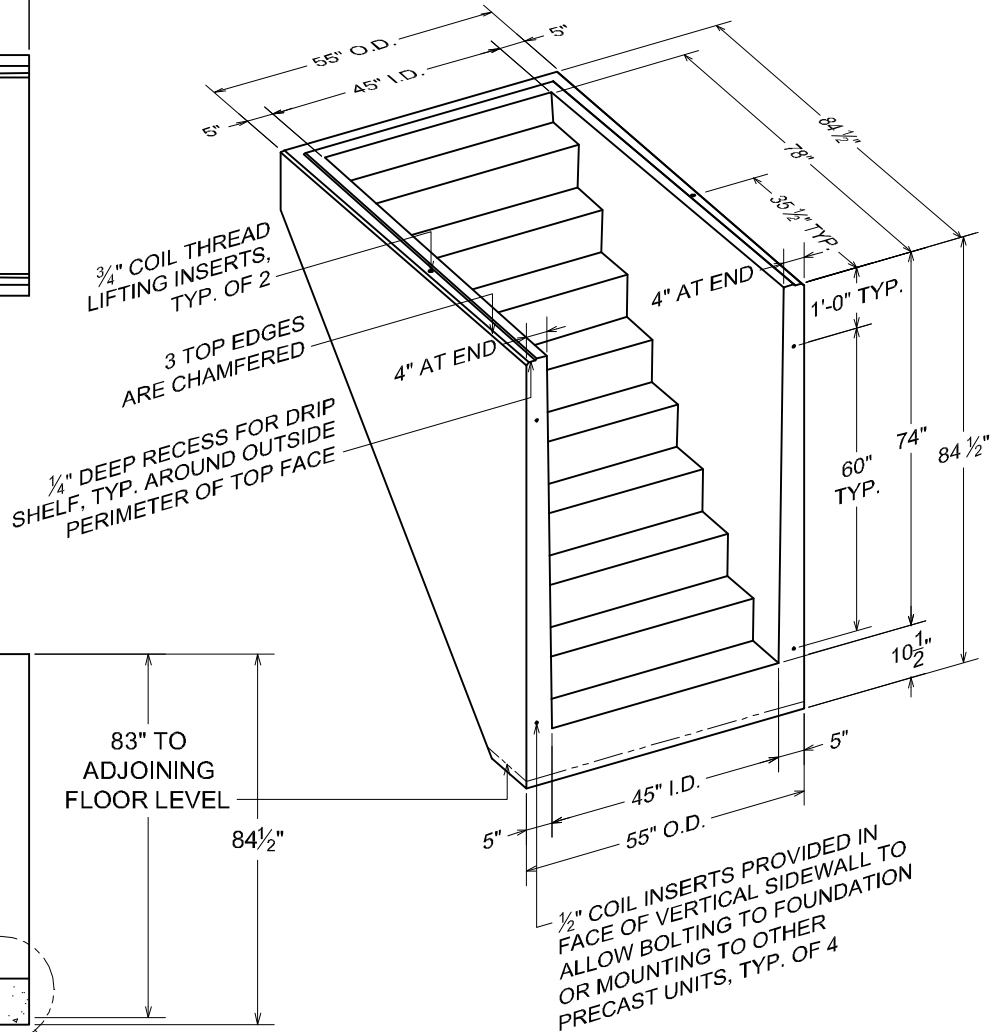


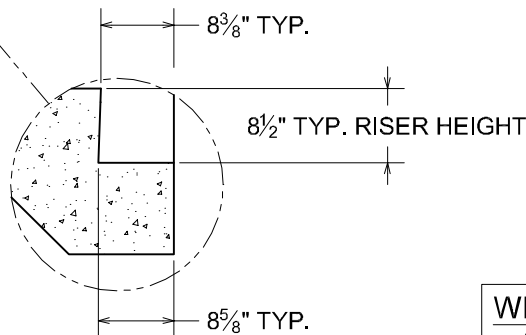
PRECAST CONCRETE
STAIRWAY ENTRY
 FOR ACCESS TO BELOW GROUND STRUCTURES



PLAN VIEW



SECTION VIEW



CONCRETE : 4,000 P.S.I. (MINIMUM)
 REINFORCING : GRADE 60 MINIMUM
 SOME DIMENSIONS WILL VARY TO ALLOW FOR TAPER ON MOLD

ACTUAL DIMENSIONS OF CONCRETE PRODUCTS MAY VARY SLIGHTLY

WEIGHT:
 - UNIT WEIGHS APPX. 6,150 LBS.

DRAWING IS NOT TO SCALE

STAIRWAY ENTRY, ZWG
 DATE CREATE: 12/08
 UPDATE: -----

Vaughn
concrete products, inc.

12650 Tucson Street • Henderson, Colorado 80640 • 303-659-3747, Fax 303-659-1333
 2671 South Greeley Hwy • Cheyenne, Wyoming 82007 • 307-634-0695, Fax 307-634-0694
 10021 Amarillo Blvd East • Amarillo, Texas 79108 • 806-374-3747, Fax 806-335-3717