

# PRECAST CONCRETE SAND/OIL INTERCEPTORS

## 2000 GALLON & LARGER CAPACITIES

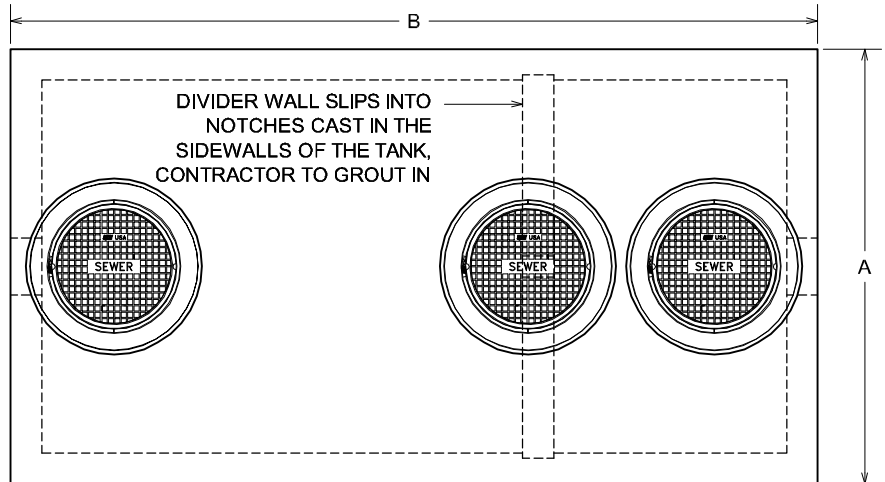
APPROVED BY : \_\_\_\_\_  
DATE : \_\_\_\_\_

SELECT SIZE:

- 2000 \_\_\_\_\_
- 2500 \_\_\_\_\_
- 3000 \_\_\_\_\_
- 3500 \_\_\_\_\_
- 4000 \_\_\_\_\_

PLAN VIEW

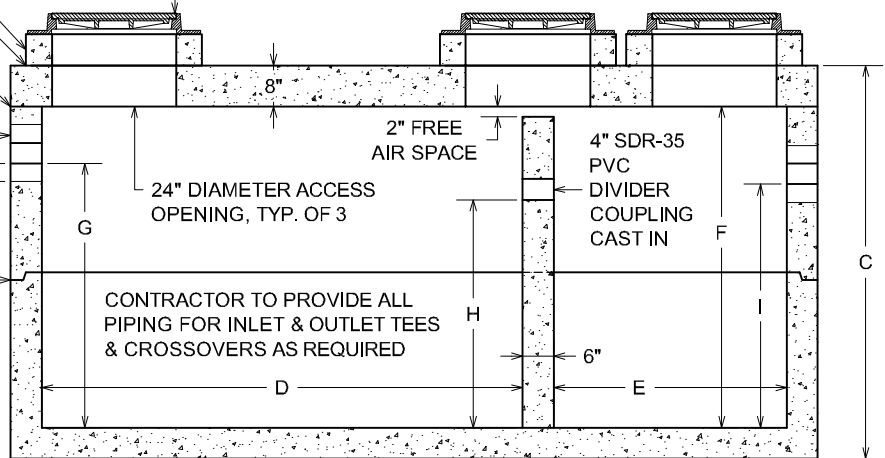
IT IS THE EXCAVATOR'S OR INSTALLER'S RESPONSIBILITY TO REQUEST OUR **INSTALLATION GUIDELINES** PRIOR TO INSTALLING THIS TANK



24" I.D. MANHOLE RISER AS REQUIRED TO ADJUST RINGS & COVERS TO GRADE, TYP. EACH ACCESS

OUR STANDARD 24" DIAMETER CAST IRON RINGS & COVERS, TYP. OF 3

CONSEAL JOINT SEALANT  
11" DIAMETER OPENING CAST IN ON INLET & OUTLET END, OPENING CAN BE PROVIDED WITH PRESS-IN GASKETS FOR 4", 6" OR 8" PIPE



CONSEAL JOINT SEALANT

SECTION VIEW

"G", "H", "I" & "K" DIMENSIONS:  
ALL ARE TO THE PIPE INVERT

\* "J" DIMENSION:

IS APPROXIMATE HEIGHT FROM BOTTOM OF PRECAST UNIT TO BOTTOM OF 11" HOLE, NOT TO BOTTOM OF THE PIPE INVERT

\*\* "K" DIMENSION:

IS FOR DIGGING INFORMATION ONLY, APPROXIMATE HEIGHT FROM BOTTOM OF PRECAST UNIT TO THE PIPE INVERT, EXCAVATION SHOULD ALLOW 1' ON EACH SIDE OF INTERCEPTOR FOR SLING & LIFTING BOLT REMOVAL

WALLS & FLOOR TO BE 6" THICK

REINFORCED FOR AASHTO HS-20-44 LOADINGS  
CONCRETE: 5000 P.S.I. MINIMUM

LARGER SIZE UNITS UP TO 30,000 GALLONS ARE AVAILABLE - CALL FOR INFORMATION

DRAWING IS NOT TO SCALE

ACTUAL DIMENSIONS OF CONCRETE PRODUCTS MAY VARY SLIGHTLY

SAND/OIL INTERCEPTOR DIMENSIONS					
	2000	2500	3000	3500	4000
A	7'-0"	7'-0"	7'-0"	7'-0"	7'-0"
B	13'-0"	13'-0"	13'-0"	17'-0"	17'-0"
C	76"	88"	100"	89"	98"
D	93"	93"	93"	120"	120"
E	45"	45"	45"	66"	66"
F	62"	74"	86"	75"	84"
G (4" PIPE)	51"	63"	75"	64"	73"
G (6" PIPE)	50"	62"	74"	63"	72"
G (8" PIPE)	49"	61"	73"	62"	71"
H	44"	56"	68"	57"	66"
I (4" PIPE)	47"	59"	71"	60"	69"
*J	53-1/2"	65-1/2"	77-1/2"	66-1/2"	75-1/2"
DIGGING DEPTH INFORMATION					
**K (4" PIPE)	57"	69"	81"	70"	79"
**K (6" PIPE)	56"	68"	80"	69"	78"
**K (8" PIPE)	55"	67"	79"	68"	77"
TOTAL APPROXIMATE WEIGHTS (IN LBS)					
	31,500	34,900	38,200	43,500	46,800
HEAVIEST PIECE (MAX. WEIGHT) BASED ON EQUAL HEIGHT SECTIONS (IN LBS)					
	15,000	16,200	17,400	20,500	22,000

2000+ GAL 50,716  
DATE CREATE: 11/05  
UPDATE: 12/09

# vaughn concrete products, inc.

12650 Tucson Street • Henderson, Colorado 80640 • 303-659-3747, Fax 303-659-1333  
2671 South Greeley Hwy • Cheyenne, Wyoming 82007 • 307-634-0695, Fax 307-634-0694  
10021 Amarillo Blvd East • Amarillo, Texas 79108 • 806-374-3747, Fax 806-335-3717

[www.vaughnconcreteproducts.com](http://www.vaughnconcreteproducts.com)