

# PRECAST CONCRETE GREASE INTERCEPTOR

1500 GALLON CAPACITY  
FOR NON-TRAFFIC APPLICATIONS  
STANDARD FOR LUBBOCK & ODESSA, TX

IT IS THE EXCAVATOR'S OR  
INSTALLER'S RESPONSIBILITY  
TO REQUEST OUR  
**INSTALLATION GUIDELINES**  
PRIOR TO INSTALLING THIS  
TANK

GREASE INTERCEPTOR PREVENTS  
GREASE FROM ENTERING COMMUNITY  
SEWAGE COLLECTION SYSTEM & CAUSING  
FREQUENT LINE PLUGGING

LARGE ACCESS OPENINGS PROVIDE  
EASIER PUMPING & MAINTENANCE

2 COMPARTMENT TANK WITH  
APPROXIMATELY 60% OF  
CAPACITY ON INLET SIDE

WITHSTANDS UP TO 6' OF BURY,  
RISERS ARE AVAILABLE FOR  
INLET & OUTLET

**OPTIONS:**

- 24" I.D. MANHOLE RISERS AVAILABLE IN 2", 3", 4", 6", 8" OR 12" HEIGHTS
- 18" ID CENTER ACCESS CONCRETE RISERS:  
10<sup>5</sup>/<sub>8</sub>" TALL FOR USE w/6" TALL MH RISER  
16<sup>5</sup>/<sub>8</sub>" TALL FOR USE w/12" TALL MH RISER  
4' TALL RCP SECTION FOR CONTRACTOR  
TO CUT TO SPECIFIC HEIGHTS
- ROOF OF TOP SECTION FOR TRAFFIC LOADINGS
- GAS TIGHT CAST IRON RINGS & COVERS

4" THICK WALLS & FLOOR, 5" THICK ROOF  
\*NOTE: WALLS & DIVIDER DO TAPER,  
THICKNESSES DO DECREASE TO ALLOW FOR  
FORM REMOVAL; THE AVG. WALL & DIVIDER  
THICKNESSES ARE LISTED

OUR STANDARD 24" DIAMETER CAST IRON  
RINGS & COVERS, TYP. OF 2

CONSEAL JOINT SEALANT, OR  
CONTRACTOR TO GROUT

PIPING BLOCKOUTS WITH POLYLOK PIPE  
SEALS CAST IN TANK FOR INLET & OUTLET  
PIPING (TYPICAL)

CONTRACTOR'S 4" PIPES

VCP SUPPLIED 4" SCH 40 INLET & OUTLET  
TEES & CROSSOVER TEES

CONSEAL JOINT SEALANT

**TANK WEIGHTS:**

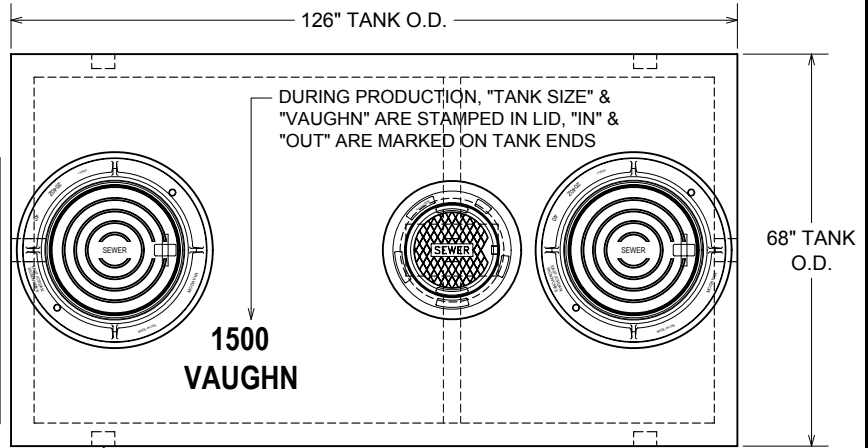
- COMPLETE INTERCEPTOR : 14,000 LBS.

**DIGGING SPECIFICATIONS:**

- 58" BELOW THE INLET
- EXCAVATION TO BE 6<sup>1</sup>/<sub>2</sub>' WIDE X 14' LONG
- SEE OUR **INSTALLATION GUIDELINES**  
PRIOR TO INSTALLING THIS TANK

CONCRETE : 4,000 P.S.I. (MINIMUM)  
REINFORCING : REBAR & WELDED WIRE FABRIC

ACTUAL DIMENSIONS OF CONCRETE PRODUCTS MAY VARY SLIGHTLY



PLAN VIEW

PIPING KNOCKOUTS 16" FROM END OF TANK TO CENTER  
OF KNOCKOUT TO ALLOW FOR CONCRETE TO BE BROKEN  
OUT TO ALLOW FOR SIDE INLET OR OUTLET PIPE AT SAME  
HEIGHT AS STANDARD INLET & OUTLET, TYP. OF 4

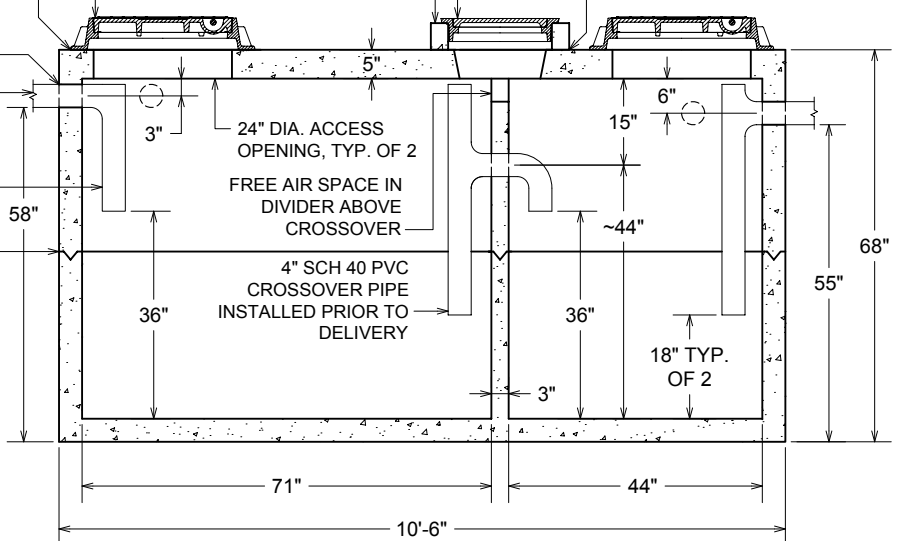
18" DIAMETER CAST IRON RING & COVER

RECTANGULAR ACCESS  
OPENING OVER DIVIDER WALL;  
OPTIONAL 18" ID PRECAST  
CONCRETE RISER 4<sup>5</sup>/<sub>8</sub>" TALL;  
CONTRACTOR MAY USE HDPE  
PIPE FOR RISER IN  
NON-TRAFFIC AREAS

APPROVED BY: \_\_\_\_\_

DATE: \_\_\_\_\_

CONTRACTOR MUST GROUT  
THE FIRST RISER TO THE LID



SECTION VIEW

DRAWING IS NOT TO SCALE

1500 GAL GI, NON-TRAFFIC-LUBBOCK.DWG  
DATE CREATED: 11 / 04  
UPDATED: 12 / 11

