

# PRECAST CONCRETE GREASE INTERCEPTOR

1000 GALLON CAPACITY  
FOR NON-TRAFFIC APPLICATIONS  
STANDARD FOR LUBBOCK & ODESSA, TX

IT IS THE EXCAVATOR'S OR  
INSTALLER'S RESPONSIBILITY  
TO REQUEST OUR  
INSTALLATION GUIDELINES  
PRIOR TO INSTALLING THIS  
TANK

## MONOLITHIC BODY NO SEAMS OR JOINTS

3" THICK FLOOR  
4" THICK WALLS & NON-TRAFFIC LID

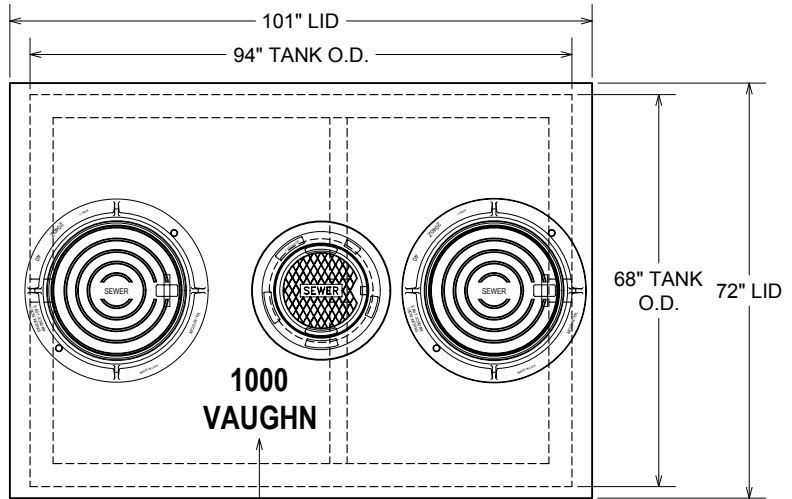
2 COMPARTMENT TANK WITH  
APPROXIMATELY 60% OF CAPACITY ON  
INLET SIDE

TANK IS PROVIDED WITH NOTCHES IN  
SIDEWALLS FOR SLIP-IN DIVIDER WALL

WITHSTANDS UP TO 6' OF BURY, RISERS  
ARE AVAILABLE FOR INLET & OUTLET

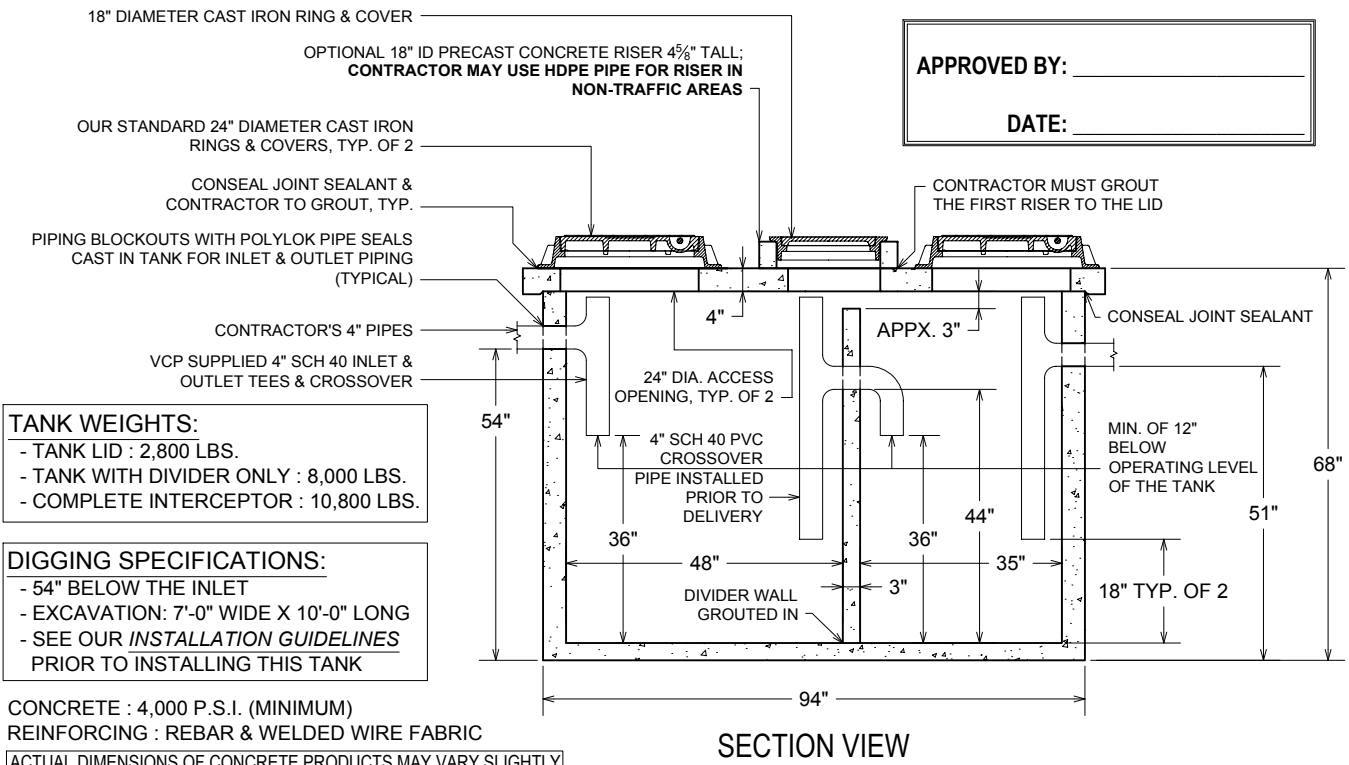
### OPTIONS:

- 24" ID CONCRETE MH RISERS AVAILABLE IN 2", 3", 4", 6", 8" OR 12" HEIGHTS
- 18" ID CENTER ACCESS CONCRETE RISERS: 10<sup>5</sup>/<sub>8</sub>" TALL FOR USE w/6" TALL MH RISER 16<sup>5</sup>/<sub>8</sub>" TALL FOR USE w/12" TALL MH RISER 4' TALL RCP SECTION FOR CONTRACTOR TO CUT TO SPECIFIC HEIGHTS
- LID SECTION FOR TRAFFIC LOADINGS
- GAS TIGHT CAST IRON RINGS & COVERS



PLAN VIEW

DURING PRODUCTION, "TANK SIZE" & "VAUGHN" ARE STAMPED IN LID, "IN" & "OUT" ARE MARKED ON TANK ENDS



SECTION VIEW

### TANK WEIGHTS:

- TANK LID : 2,800 LBS.
- TANK WITH DIVIDER ONLY : 8,000 LBS.
- COMPLETE INTERCEPTOR : 10,800 LBS.

### DIGGING SPECIFICATIONS:

- 54" BELOW THE INLET
- EXCAVATION: 7'-0" WIDE X 10'-0" LONG
- SEE OUR *INSTALLATION GUIDELINES* PRIOR TO INSTALLING THIS TANK

CONCRETE : 4,000 P.S.I. (MINIMUM)  
REINFORCING : REBAR & WELDED WIRE FABRIC  
ACTUAL DIMENSIONS OF CONCRETE PRODUCTS MAY VARY SLIGHTLY

DRAWING IS NOT TO SCALE

1000 GAL GI, NON-TRAFFIC-LUBBOCK.DWG  
DATE CREATED: 11/04  
UPDATED: 12/11

# vaughn concrete products, inc.