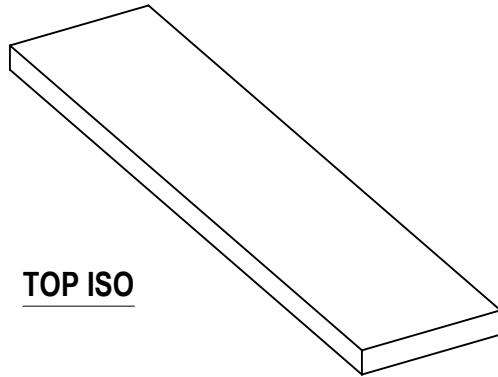
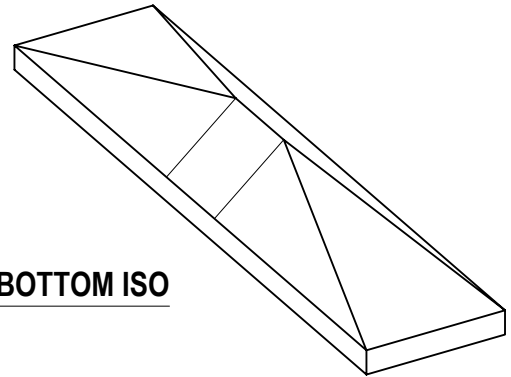


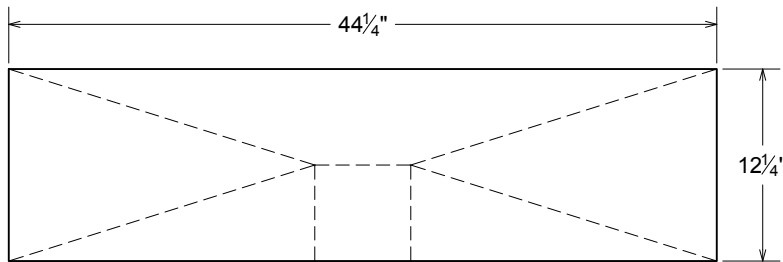
# PRECAST CONCRETE INDIVIDUAL STEPS



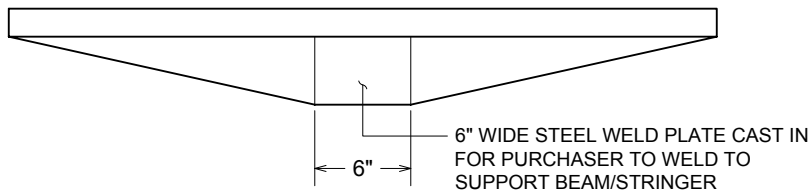
**TOP ISO**



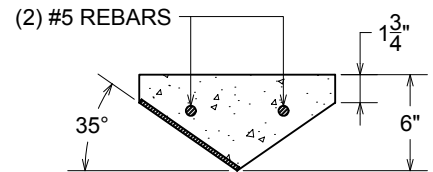
**BOTTOM ISO**



**TOP VIEW**



**BACK VIEW**



**SECTION VIEW**

**WEIGHT:**

- STEP AS SHOWN WEIGHS APPX. 150 LBS.

**FINISH:**

- TOP: STANDARD CONCRETE TROWEL FINISH
- SIDES & BOTTOM: SMOOTH FORM FINISH
- COLOR: CONCRETE GRAY

**NOTES:**

- CONCRETE: 4000 P.S.I. MINIMUM
- REINFORCING: GRADE 60 MINIMUM

ACTUAL DIMENSIONS OF CONCRETE PRODUCTS MAY VARY SLIGHTLY

STEPS AVAILABLE IN TAPERED CONFIGURATION AS SHOWN OR IN A FLAT CONFIGURATION WITHOUT THE TAPER

FLAT STEP TO SET INTO PURCHASER SUPPLIED SUPPORTS OR PROVIDED WITH WELD PLATES CAST IN

OTHER SIZES ARE AVAILABLE AS SPECIAL ORDER ITEMS UPON REQUEST

3" MINIMUM RECOMMENDED THICKNESS FOR ALL FLAT STEPS

**vaughn  
concrete products, inc.**

DRAWING NOT TO SCALE

INDIVIDUAL STEPS.DWG  
DATE CREATED: 10/10  
UPDATED: .....

12650 Tucson Street • Henderson, Colorado 80640 • 303-659-3747, Fax 303-659-1333  
2671 South Greeley Hwy • Cheyenne, Wyoming 82007 • 307-634-0695, Fax 307-634-0694  
10021 Amarillo Blvd East • Amarillo, Texas 79108 • 806-374-3747, Fax 806-335-3717

[www.vaughnconcreteproducts.com](http://www.vaughnconcreteproducts.com)