

PRECAST CONCRETE BELOW GROUND (BG)

STORM SHELTER-SQUARE

LOCALLY MANUFACTURED, PRECAST CONCRETE SHELTER WITH WALK-IN DOOR,
BOTH CERTIFIED TO MEET NSSA STANDARD

STANDARD SQUARE SIZES ARE SHOWN IN THE CHART BELOW
(OTHER SIZES ARE AVAILABLE IN EVEN FOOT INCREMENTS BY SPECIAL ORDER ONLY)

VCP ITEM #	INSIDE LENGTH A	INSIDE WIDTH B	OUTSIDE LENGTH C	OUTSIDE WIDTH D	INSIDE HEIGHT	NUMBER OF 6" VENTS	SIZE OF EXCAVATION
#SS-606070-BGD	6'-0"	6'-0"	7'-0"	7'-0"	7'-0"	2	10'Wx10'Lx7'D**
#SS-808070-BGD	8'-0"	8'-0"	9'-0"	9'-0"	7'-0"	3	12'Wx12'Lx7'D**
#SS-10010070-BGD	10'-0"	10'-0"	11'-0"	11'-0"	7'-0"	4	14'Wx14'Lx7'D**

DEPTH OF EXCAVATION TO ALLOW FOR A MINIMUM OF 6" OF AGGREGATE TO FACILITATE DRAINAGE BELOW THE SHELTER**

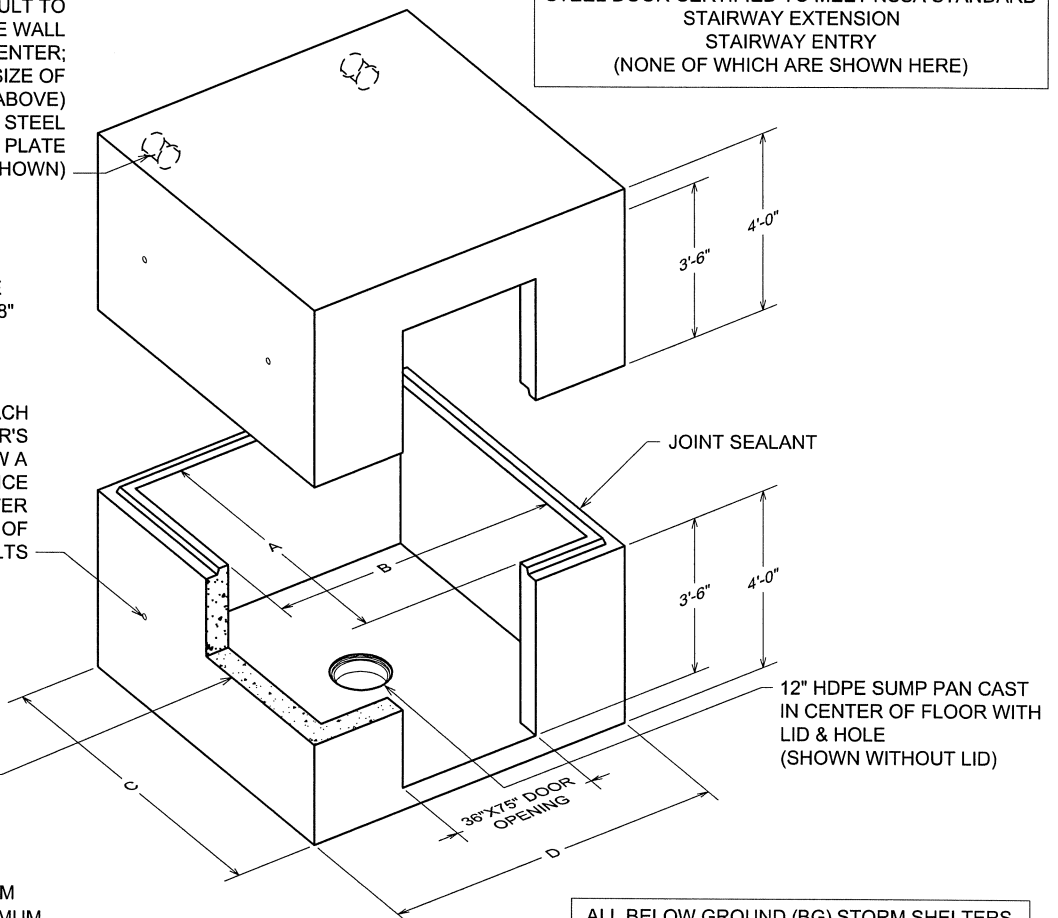
6" CONDUIT DUCT TERMINATORS FOR VENT OPENINGS 9" OFF TOP OF VAULT TO CENTER & 15" OFF EACH OUTSIDE WALL TO CENTER;
QUANTITY DEPENDENT UPON SIZE OF SHELTER (SEE CHART ABOVE)
EACH VENT PROVIDED WITH STEEL DEFLECTOR PLATE (NOT SHOWN)

STANDARD INSTALLATION PROVIDES UNIT TO PROTRUDE ABOVE GROUND LEVEL APPX. 18"

4 LIFTING INSERTS CAST IN EACH SECTION, PURCHASER'S EXCAVATION TO ALLOW A MINIMUM OF 18" CLEARANCE AROUND THE ENTIRE PERIMETER OF SHELTER FOR REMOVAL OF LIFTING BOLTS

CUT-AWAY TO SHOW SUMP

STORM SHELTER ALSO PROVIDED WITH:
STEEL DOOR CERTIFIED TO MEET NSSA STANDARD
STAIRWAY EXTENSION
STAIRWAY ENTRY
(NONE OF WHICH ARE SHOWN HERE)



12" HDPE SUMP PAN CAST IN CENTER OF FLOOR WITH LID & HOLE (SHOWN WITHOUT LID)

NOTES:

- CONCRETE: 5000 P.S.I. MINIMUM
- REINFORCING: GRADE 60 MINIMUM
- *TOP SECTIONS: #4@12" O.C.E.W. (OR EQUIVALENT STRUCTURAL MESH)
- *BOTTOM SECTIONS: #5@12" O.C.E.W. (OR EQUIVALENT STRUCTURAL MESH)
- ALL REINFORCING CENTERED IN THE FLOOR, WALLS & ROOF THICKNESS

*ACTUAL DIMENSIONS OF CONCRETE PRODUCTS MAY VARY SLIGHTLY
*PRODUCT & DRAWING SUBJECT TO CHANGE WITHOUT NOTICE

ALL BELOW GROUND (BG) STORM SHELTERS ARE PROVIDED WITH 12" DIAMETER HDPE SUMP PAN WITH DRAIN HOLE; 6" MINIMUM AGGREGATE BASIN TO FACILITATE DRAINAGE TO BE PLACED BELOW EACH SHELTER'S SUMP LOCATION PRIOR TO SETTING IT INTO THE READY EXCAVATION

*ACTUAL DIMENSIONS OF CONCRETE PRODUCTS MAY VARY SLIGHTLY
*PRODUCT & DRAWING SUBJECT TO CHANGE WITHOUT NOTICE

DRAWING NOT TO SCALE

SS-SQUARE-BGD.DWG
DATE CREATED: 4/07
UPDATED: 5/07

Vaughn
concrete products, inc.