

PRECAST CONCRETE ABOVE GROUND (AG)

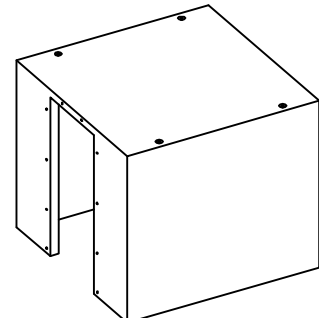
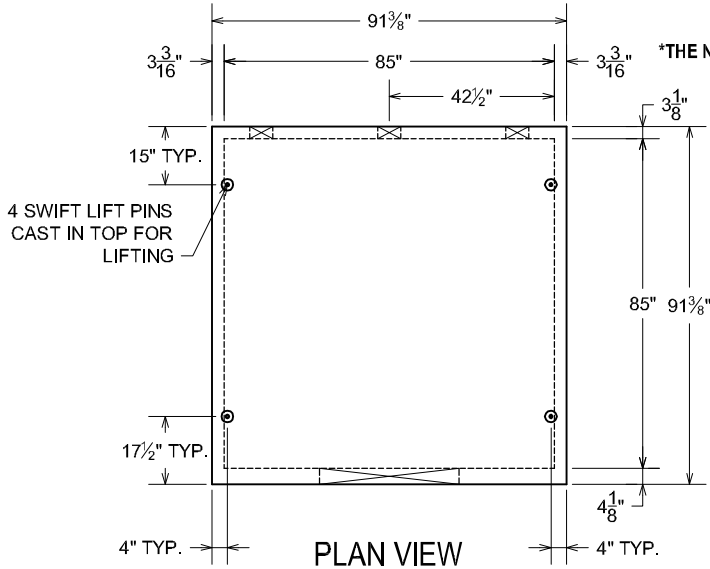
STORM SHELTER

LOCALLY MANUFACTURED, PRECAST CONCRETE SHELTER WITH STEEL DOOR,
BOTH CERTIFIED TO MEET NSSA/ICC STANDARDS

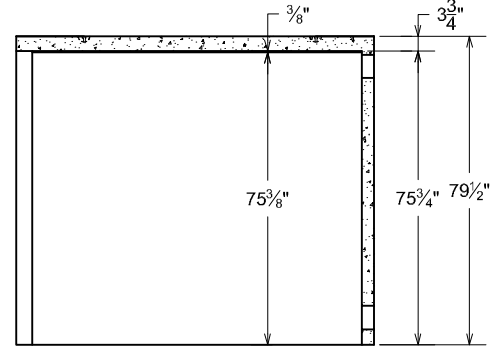
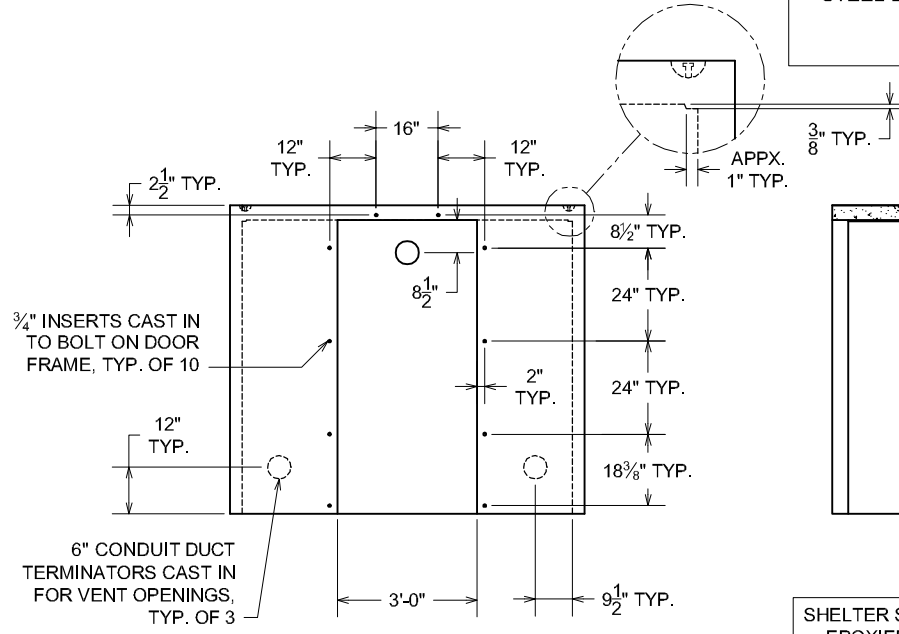
7'-1" (85") WIDE X 7'-1" (85") LONG X 6'-3³/₄" (75³/₄") HIGH INSIDE DIMENSIONS

VCP ITEM #SS-7070-AG (16 PERSON*)

*THE NSSA/ICC STANDARDS FOR RESIDENTIAL TORNADO SHELTERS REQUIRE
 3 SQUARE FEET OF USABLE FLOOR AREA/OCCUPANT



STORM SHELTER ALSO PROVIDED WITH:
 STEEL DOOR CERTIFIED TO MEET NSSA STANDARD
 (NOT SHOWN)
 STEEL DEFLECTOR PLATES OVER THE 6" DUCT
 TERMINATORS FOR VENTS
 (NOT SHOWN)



SHELTER SETS ON TOP OF GROUND,
 EPOXIED TO THE PURCHASER'S
 CONCRETE SLAB

UNIT WITH DOOR WEIGHS APPROXIMATELY 9,800 LBS.
 *ACTUAL DIMENSIONS OF CONCRETE PRODUCTS MAY VARY SLIGHTLY
 *PRODUCT & DRAWING SUBJECT TO CHANGE WITHOUT NOTICE

NOTES:
 - CONCRETE: 5,000 P.S.I. (MINIMUM)
 - REINFORCING: GRADE 60; EQUAL TO #4 REBARS @ 12" O.C.E.W. (MIN.)

vaughn
concrete products, inc.

DRAWING NOT TO SCALE

SS-7070-AG.DWG
 DATE CREATED: 5/07
 UPDATED: 12/09

12650 Tucson Street • Henderson, Colorado 80640 • 303-659-3747, Fax 303-659-1333
 2671 South Greeley Hwy • Cheyenne, Wyoming 82007 • 307-634-0695, Fax 307-634-0694
 10021 Amarillo Blvd East • Amarillo, Texas 79108 • 806-374-3747, Fax 806-335-3717

www.vaughnconcreteproducts.com