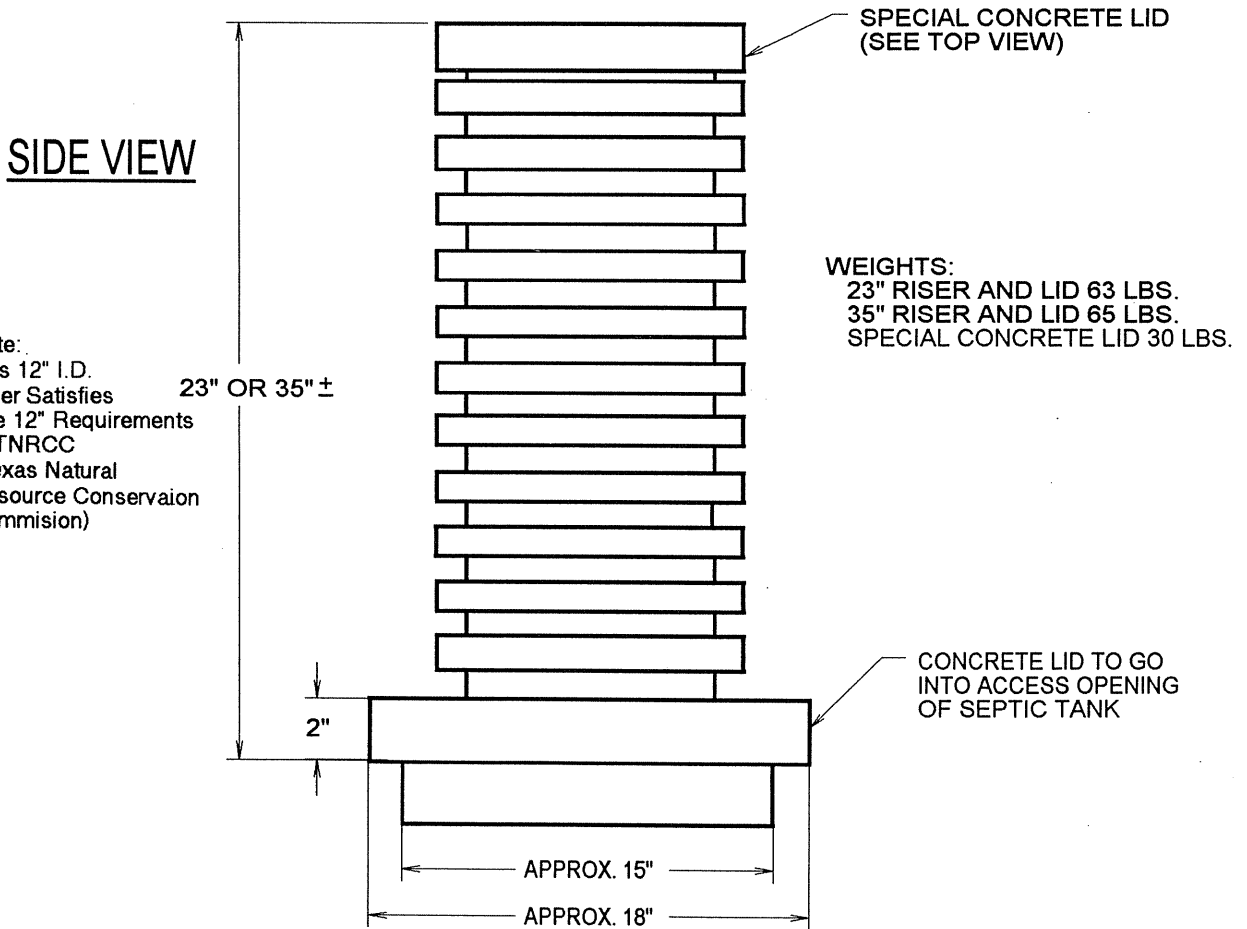
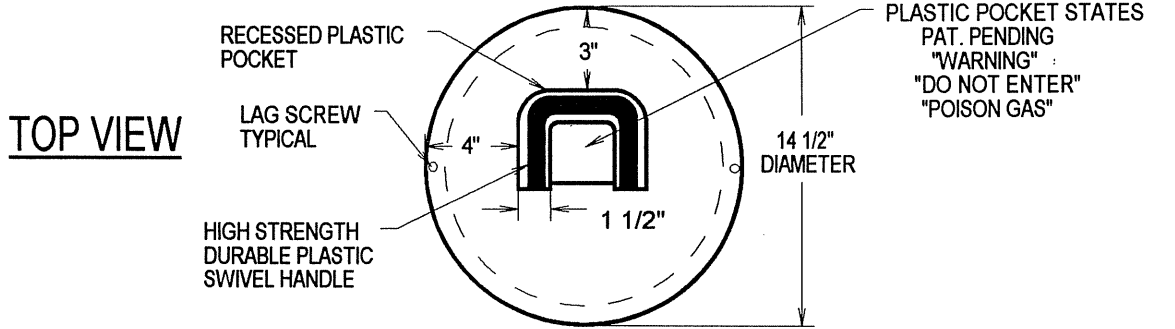


SEPTIC TANK RISER

RIBBED HDPE PIPE (HIGH DENSITY POLYETHYLENE)
 12" INSIDE DIAMETER WITH SPECIAL CONCRETE LID
 WITH RECESSED SWIVEL HANDLE SECURED WITH 2 LAG SCREWS



Note:
 This 12" I.D.
 Riser Satisfies
 The 12" Requirements
 of TNRCC
 (Texas Natural
 Resource Conservaion
 Commision)

PROVIDES APPROXIMATELY 23" OR 35" FROM TOP OF TANK TO TOP OF RISER
 CAN BE CUT TO HEIGHT NEEDED

ACTUAL DIMENSION OF CONCRETE PRODUCTS MAY VARY SLIGHTLY
 DRAWING IS NOT TO SCALE

vaughn
concrete products, inc.

11/97