

PRECAST CONCRETE SEPTIC TANK

1500 GALLON CAPACITY - 2-PIECE STANDARD FOR TEXAS

2-PIECE BODY

TOP SECTION VEES INTO BOTTOM SECTION

TANK MEETS MOST STATE & COUNTY HEALTH DEPARTMENT REQUIREMENTS

4" THICK FLOOR & WALLS, 5" THICK ROOF
3" THICK DIVIDER WALL

2 COMPARTMENT TANK WITH APPROXIMATELY 60% OF CAPACITY ON INLET SIDE

WITHSTANDS UP TO 6' OF BURY, RISERS ARE AVAILABLE FOR INLET & OUTLET

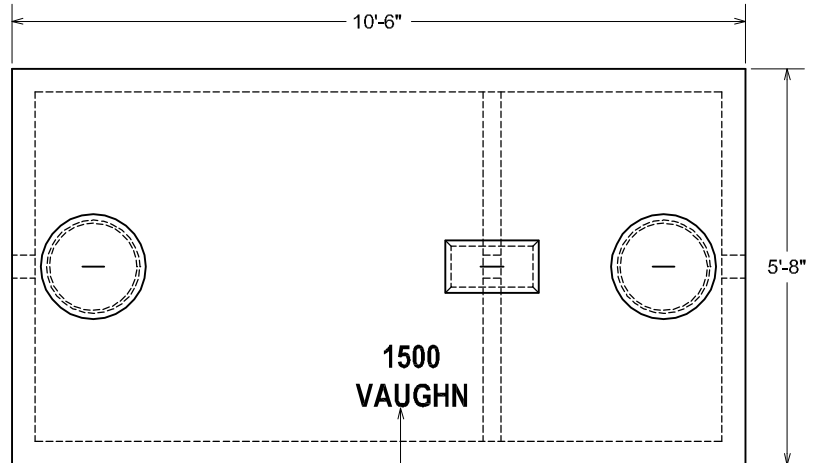
IT IS THE EXCAVATOR'S OR INSTALLER'S RESPONSIBILITY TO REQUEST OUR **INSTALLATION GUIDELINES** PRIOR TO INSTALLING THIS TANK

OPTIONS:

- INLET & OUTLET PIPES AVAILABLE ON SIDES & ENDS OF TANK
- **9" THICK ROOF FOR TRAFFIC LOADINGS
- 24" I.D. MANHOLE RISERS
- CAST IRON RINGS & COVERS

DIGGING SPECIFICATIONS:

- 58" BELOW THE INLET
- EXCAVATION TO BE 6'-6" WIDE X 14' LONG
- SEE OUR **INSTALLATION GUIDELINES** PRIOR TO INSTALLING THIS TANK



PLAN VIEW

DURING PRODUCTION, "TANK SIZE" & "VAUGHN" ARE STAMPED IN TOP, "IN" & "OUT" ARE MARKED ON TANK ENDS

OUR STANDARD 18" DIAMETER CONCRETE ACCESS LIDS, TYP. OF 2

PIPING BLOCKOUTS WITH POLYLOK PIPE SEALS CAST IN TANK FOR INLET & OUTLET PIPING (TYPICAL)

CONTRACTOR'S 4" PIPES

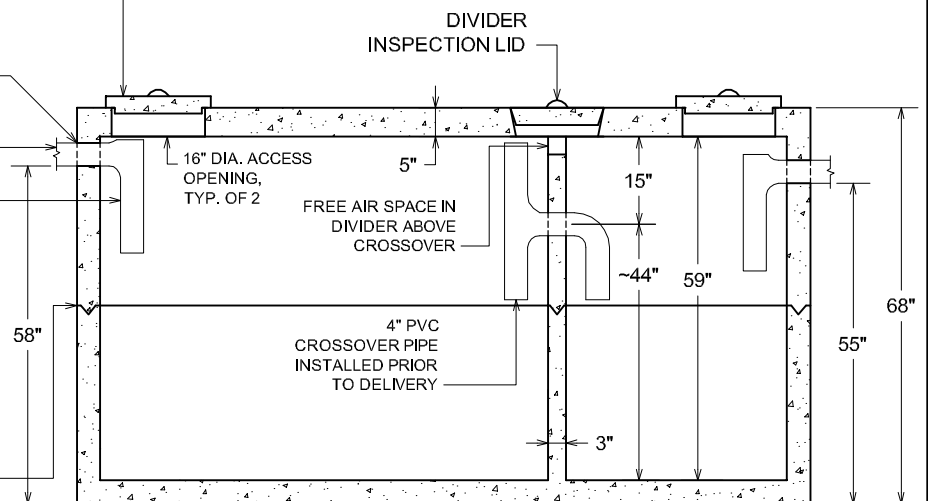
VCP SUPPLIED 4" SDR35 INLET & OUTLET TEES

TANK WEIGHTS:

NON-TRAFFIC RATED

- NON-TRAFFIC TANK: APPX. 14,300 LBS.
- TRAFFIC RATED
- TRAFFIC TANK: APPX. 17,100 LBS.

TOP SECTION VEES INTO BOTTOM SECTION; SEALED WITH JOINT SEALANT



SECTION VIEW

CONCRETE : 4,000 P.S.I. (MINIMUM)
REINFORCING : REBAR & WELDED WIRE FABRIC

ACTUAL DIMENSIONS OF CONCRETE PRODUCTS MAY VARY SLIGHTLY

DRAWING IS NOT TO SCALE

Vaughn concrete products, inc.

1500 GAL. 2-PIECE SEPTIC TANK.DWG
DATE CREATED: 12/09
UPDATE: -----