

PRECAST CONCRETE SEPTIC TANK

1000 GALLON CAPACITY

STANDARD FOR TEXAS

MONOLITHIC BODY NO SEAMS OR JOINTS

3" THICK FLOOR
4" THICK WALLS & 4" THICK LID

2 COMPARTMENT TANK WITH APPROXIMATELY 60% OF CAPACITY ON INLET SIDE

TANK IS PROVIDED WITH NOTCHES IN SIDEWALLS FOR SLIP-IN DIVIDER WALL

WITHSTANDS UP TO 6' OF BURY, RISERS ARE AVAILABLE FOR INLET & OUTLET

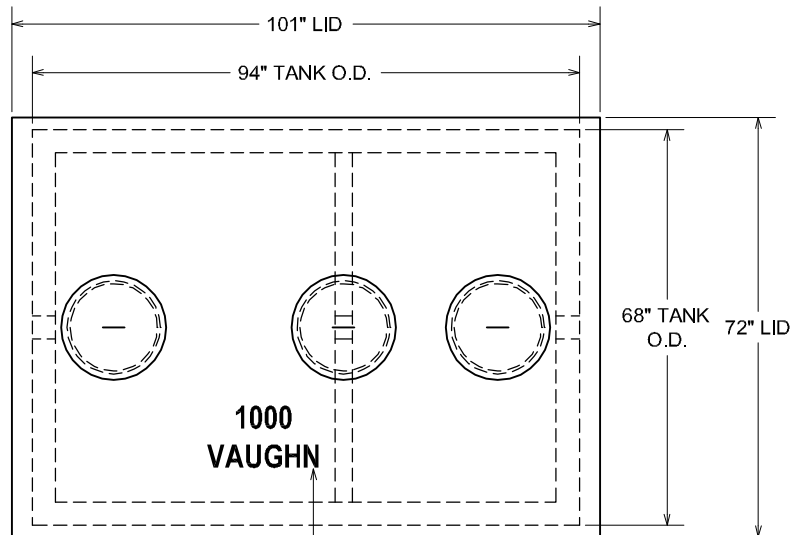
IT IS THE EXCAVATOR'S OR INSTALLER'S RESPONSIBILITY TO REQUEST OUR INSTALLATION GUIDELINES PRIOR TO INSTALLING THIS TANK

OPTIONS:

- **8" THICK LID FOR TRAFFIC LOADINGS
- 24" I.D. MANHOLE RISERS
- CAST IRON RINGS & COVERS

DIGGING SPECIFICATIONS:

- 54" BELOW THE INLET
- EXCAVATION TO BE 7' WIDE X 10' LONG
- SEE OUR INSTALLATION GUIDELINES PRIOR TO INSTALLING THIS TANK



PLAN VIEW

DURING PRODUCTION, "TANK SIZE" & "VAUGHN" ARE STAMPED IN LID, "IN" & "OUT" ARE MARKED ON TANK ENDS

OUR STANDARD 18" DIAMETER CONCRETE ACCESS LIDS, TYP. OF 3

PIPING BLOCKOUTS WITH POLYLOK PIPE SEALS CAST IN TANK FOR INLET & OUTLET PIPING (TYPICAL)

CONTRACTOR'S 4" PIPES

VCP SUPPLIED 4" SDR35 INLET & OUTLET TEES

TANK WEIGHTS:

TANK WITH DIVIDER ONLY : 8,000 LBS.

NON-TRAFFIC RATED

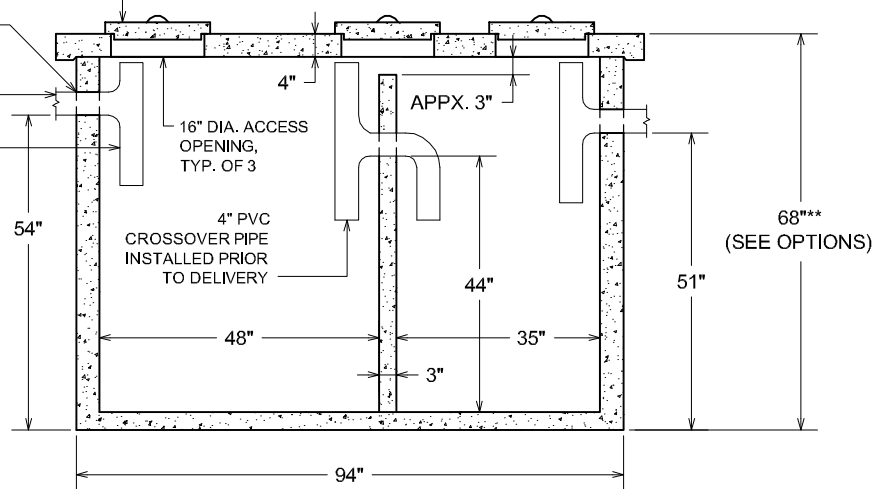
- TANK LID : 2,800 LBS.
- COMPLETE NON-TRFC TANK : 10,800 LBS.

TRAFFIC RATED

- TANK LID : 5,400 LBS.
- COMPLETE TRAFFIC TANK : 13,400 LBS.

CONCRETE : 4,000 P.S.I. (MINIMUM)
REINFORCING : REBAR & WELDED WIRE FABRIC

ACTUAL DIMENSIONS OF CONCRETE PRODUCTS MAY VARY SLIGHTLY



SECTION VIEW

DRAWING IS NOT TO SCALE

1000 GAL. MONO-SEPTIC TANK.DWG
DATE CREATED: 12/06
UPDATE: 12/07

Vaughn concrete products, inc.