

# PRECAST CONCRETE GREASE INTERCEPTOR

1500 GALLON CAPACITY  
WITH TOP FOR TRAFFIC  
STANDARD FOR LUBBOCK & ODESSA, TX

IT IS THE EXCAVATOR'S OR  
INSTALLER'S RESPONSIBILITY  
TO REQUEST OUR  
**INSTALLATION GUIDELINES**  
PRIOR TO INSTALLING THIS  
TANK

GREASE INTERCEPTOR PREVENTS  
GREASE FROM ENTERING COMMUNITY  
SEWAGE COLLECTION SYSTEM & CAUSING  
FREQUENT LINE PLUGGING

LARGE ACCESS OPENINGS PROVIDE  
EASIER PUMPING & MAINTENANCE

2 COMPARTMENT TANK WITH  
APPROXIMATELY 60% OF  
CAPACITY ON INLET SIDE

WITHSTANDS UP TO 6' OF BURY,  
RISERS ARE AVAILABLE FOR  
INLET & OUTLET

**OPTIONS:**

- 24" I.D. MANHOLE RISERS
- GAS TIGHT CAST IRON RINGS & COVERS

PIPING KNOCKOUTS 16" FROM END OF  
TANK TO CENTER OF KNOCKOUT TO  
ALLOW FOR CONCRETE TO BE BROKEN  
OUT TO ALLOW FOR SIDE INLET OR  
OUTLET PIPE AT SAME HEIGHT AS  
STANDARD INLET & OUTLET, TYP. OF 4

4" THICK WALLS & FLOOR, 9" THICK ROOF  
\*NOTE: WALLS & DIVIDER DO TAPER,  
THICKNESSES DO DECREASE TO ALLOW FOR  
FORM REMOVAL; THE AVG. WALL & DIVIDER  
THICKNESSES ARE LISTED

OUR STANDARD 24" DIAMETER CAST  
IRON RINGS & COVERS, TYP. OF 2  
24" I.D. MANHOLE RISER AS REQUIRED,  
TYP. INLET/OUTLET END; AVAILABLE IN  
2", 3", 4", 6", 8" OR 12" HEIGHTS

CONSEAL JOINT SEALANT, OR  
CONTRACTOR TO GROUT

PIPING BLOCKOUTS WITH POLYLOK  
PIPE SEALS CAST IN TANK FOR INLET  
& OUTLET PIPING (TYPICAL)

CONTRACTOR'S 4" PIPES

VCP SUPPLIED 4" SDR35 INLET &  
OUTLET TEES & CROSSOVER NOT TO  
EXCEED 18" OFF OF INSIDE FLOOR

CONSEAL JOINT SEALANT

**TANK WEIGHTS:**

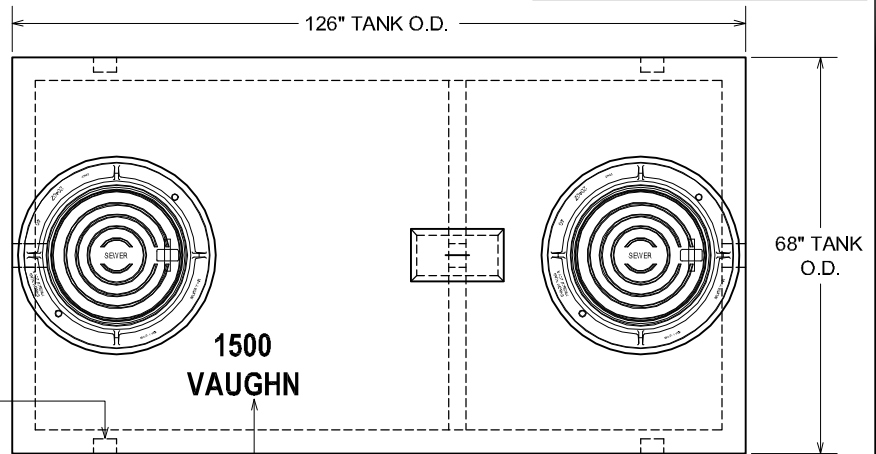
- COMPLETE INTERCEPTOR : 16,800 LBS.

**DIGGING SPECIFICATIONS:**

- 58" BELOW THE INLET
- EXCAVATION TO BE 6 1/2' WIDE X 14' LONG
- SEE OUR **INSTALLATION GUIDELINES**  
PRIOR TO INSTALLING THIS TANK

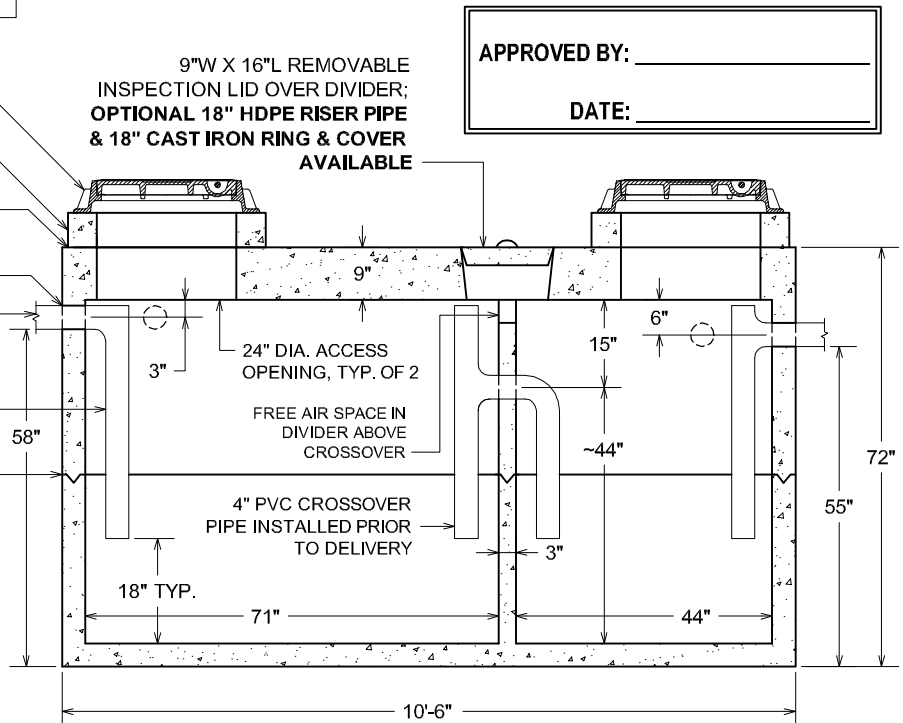
CONCRETE : 4,000 P.S.I. (MINIMUM)  
REINFORCING : REBAR & WELDED WIRE FABRIC

ACTUAL DIMENSIONS OF CONCRETE PRODUCTS MAY VARY SLIGHTLY



**PLAN VIEW**

DURING PRODUCTION, "TANK SIZE" &  
"VAUGHN" ARE STAMPED IN LID, "IN" &  
"OUT" ARE MARKED ON TANK ENDS



**SECTION VIEW**

APPROVED BY: \_\_\_\_\_  
DATE: \_\_\_\_\_



DRAWING IS NOT TO SCALE  
1500 GAL CI, TRAFFIC-LUBBOCK-ODESSA, PNG  
DATE CREATED: 11/04  
UPDATED: 12/09