

PRECAST CONCRETE GREASE INTERCEPTOR

1000 GALLON CAPACITY
FOR NON-TRAFFIC APPLICATIONS
STANDARD FOR COLORADO & WYOMING

IT IS THE EXCAVATOR'S OR
INSTALLER'S RESPONSIBILITY
TO REQUEST OUR
INSTALLATION GUIDELINES
PRIOR TO INSTALLING THIS
TANK

MONOLITHIC BODY NO SEAMS OR JOINTS

3" THICK FLOOR
4" THICK WALLS & NON-TRAFFIC LID

2 COMPARTMENT TANK WITH
APPROXIMATELY 60% OF CAPACITY ON
INLET SIDE

TANK IS PROVIDED WITH NOTCHES IN
SIDEWALLS FOR SLIP-IN DIVIDER WALL

WITHSTANDS UP TO 6' OF BURY, RISERS
ARE AVAILABLE FOR INLET & OUTLET

OPTIONS:

- 24" I.D. MANHOLE RISERS
- LID SECTION FOR TRAFFIC LOADINGS
- GAS TIGHT CAST IRON RINGS & COVERS

PIPING KNOCKOUTS 19" FROM END OF
TANK TO CENTER OF KNOCKOUT TO
ALLOW FOR CONCRETE TO BE
BROKEN OUT TO ALLOW FOR SIDE
INLET OR OUTLET PIPE AT SAME
HEIGHT AS STANDARD INLET &
OUTLET, TYP. OF 4

OUR STANDARD 24" DIAMETER CAST
IRON RINGS & COVERS, TYP. OF 2

24" I.D. MANHOLE RISER AS REQUIRED,
TYP. INLET/OUTLET END; AVAILABLE IN
2", 3", 4", 6", 8" & 12" HEIGHTS

CONSEAL JOINT SEALANT, OR
CONTRACTOR TO GROUT

PIPING BLOCKOUTS WITH POLYLOK
PIPE SEALS CAST IN TANK FOR INLET
& OUTLET PIPING (TYPICAL)

CONTRACTOR'S 4" PIPES

VCP SUPPLIED 4" SDR35
INLET & OUTLET TEES

TANK WEIGHTS:

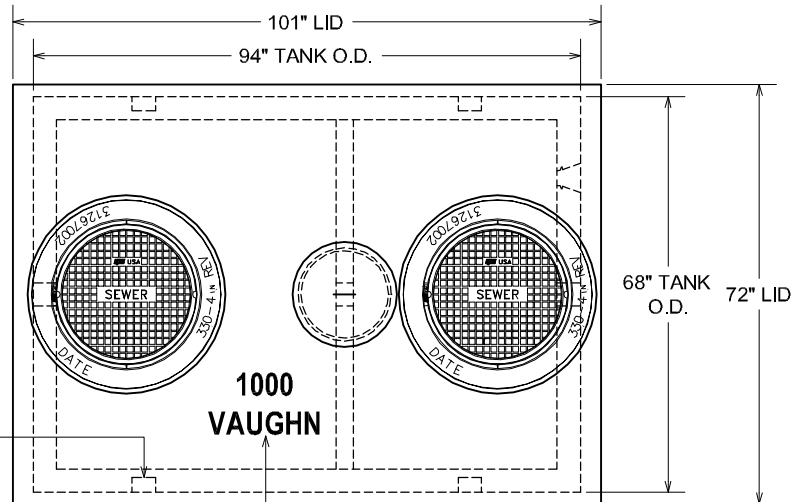
- TANK LID : 2,800 LBS.
- TANK WITH DIVIDER ONLY : 8,000 LBS.
- COMPLETE INTERCEPTOR : 10,800 LBS.

DIGGING SPECIFICATIONS:

- 54" BELOW THE INLET
- EXCAVATION: 7'-0" WIDE X 10'-0" LONG
- SEE OUR **INSTALLATION GUIDELINES**
PRIOR TO INSTALLING THIS TANK

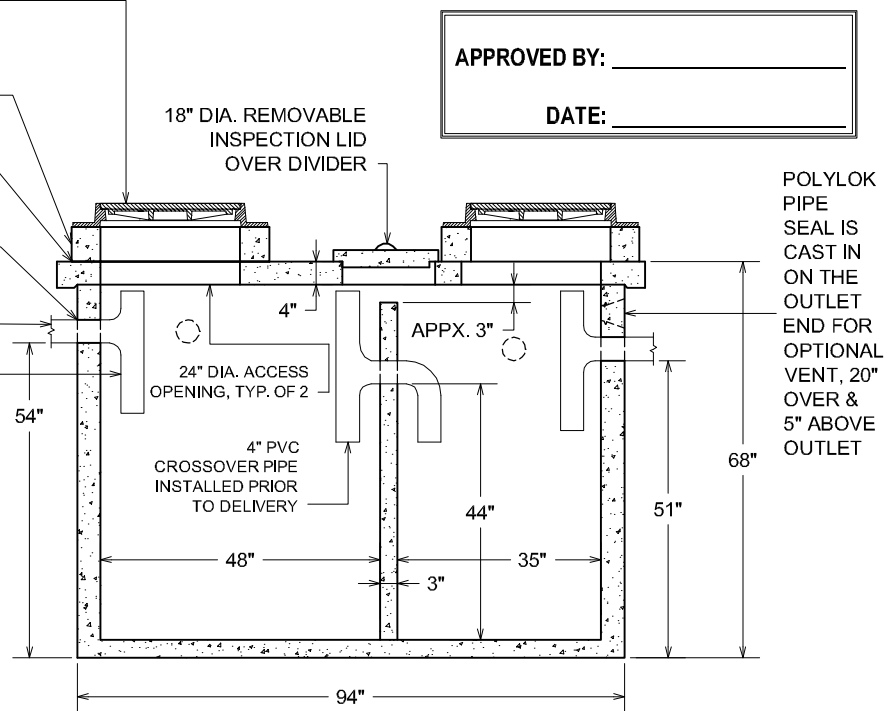
CONCRETE : 4,000 P.S.I. (MINIMUM)
REINFORCING : REBAR & WELDED WIRE FABRIC

ACTUAL DIMENSIONS OF CONCRETE PRODUCTS MAY VARY SLIGHTLY



DURING PRODUCTION, "TANK SIZE" &
"VAUGHN" ARE STAMPED IN LID, "IN" &
"OUT" ARE MARKED ON TANK ENDS

PLAN VIEW



APPROVED BY: _____

DATE: _____

POLYLOK
PIPE
SEAL IS
CAST IN
ON THE
OUTLET
END FOR
OPTIONAL
VENT, 20"
OVER &
5" ABOVE
OUTLET

SECTION VIEW

DRAWING IS NOT TO SCALE

Vaughn concrete products, inc.

1000 GAL. CI. NON-TRAFFIC, 2/16
DATE CREATED: 11/04
UPDATED: 12/09

12650 Tucson Street • Henderson, Colorado 80640 • 303-659-3747, Fax 303-659-1333
2671 South Greeley Hwy • Cheyenne, Wyoming 82007 • 307-634-0695, Fax 307-634-0694

www.vaughnconcreteproducts.com