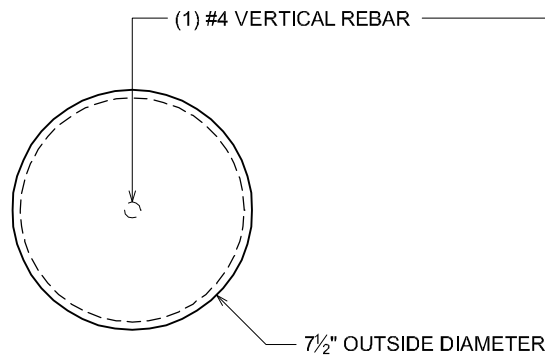


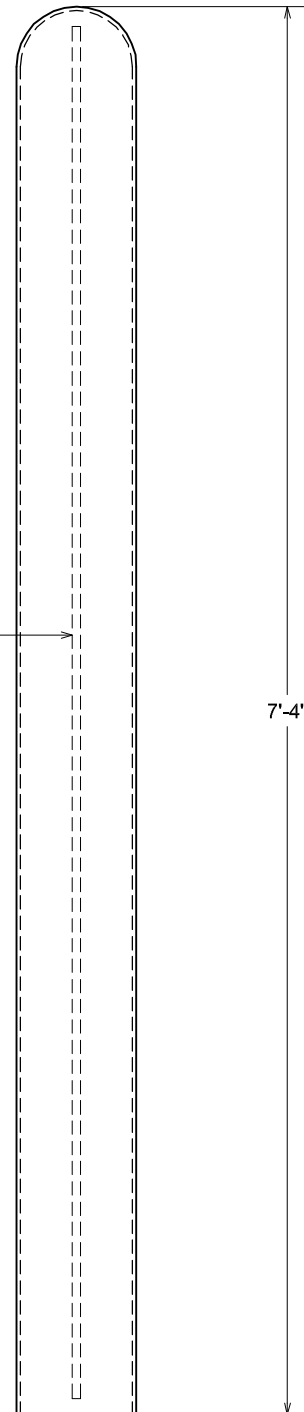
BOLLARDS

7½" DIAMETER X 7'-4" LONG

- GREAT FOR PROTECTING STORE FRONTS, GAS PUMPS, FENCING, GATES, SCHOOLS, TRANSFORMERS, SWITCH GEAR & UTILITIES OF ALL TYPES
- ROTO MOLDED POLYETHYLENE EXTERIOR SHELL FILLED WITH REINFORCED CONCRETE
- YELLOW BOLLARDS ARE IN STOCK & READY FOR PICK-UP
- RED, BLUE, GRANITE LIGHT GRAY OR GRANITE DARK GRAY BOLLARDS ARE AVAILABLE AS SPECIAL ORDER ITEMS (MIN. ORDER OF 20 REQUIRED)
- CONTRACTOR FRIENDLY
- EASY INSTALLATION
- IMPACT RESISTANT
- UV RESISTANT



TOP VIEW



ELEVATION VIEW

WEIGHT:

- BOLLARD WEIGHS APPX. 335 LBS.

NOTES:

- CONCRETE: 4000 P.S.I. MINIMUM
- REINFORCING: (1) #4 VERTICAL REBAR

ACTUAL DIMENSIONS OF CONCRETE PRODUCTS MAY VARY SLIGHTLY

DRAWING NOT TO SCALE



7.5 INCH BOLLARD.DWG
DATE CREATED: 2/2009
UPDATE: -----

12650 Tucson Street • Henderson, Colorado 80640 • 303-659-3747, Fax 303-659-1333
 2671 South Greeley Hwy • Cheyenne, Wyoming 82007 • 307-634-0695, Fax 307-634-0694
 10021 Amarillo Blvd East • Amarillo, Texas 79108 • 806-374-3747, Fax 806-335-3717