

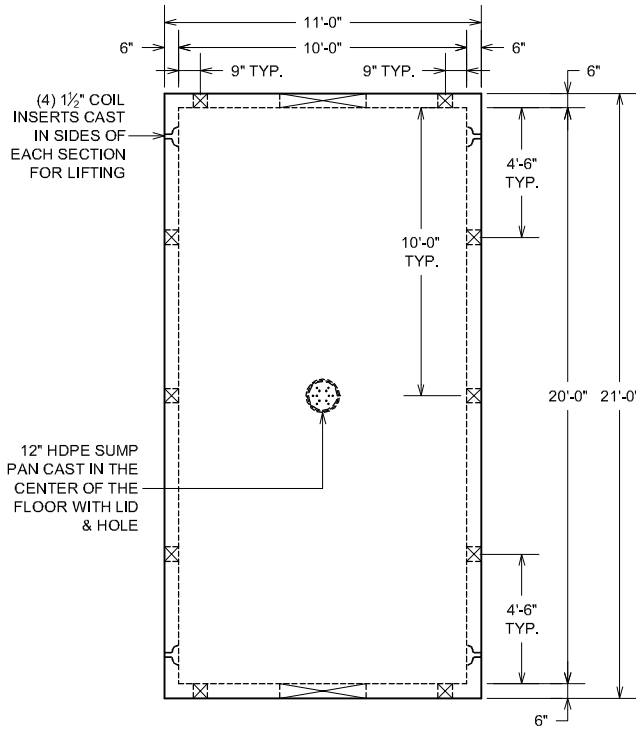
# STORM SHELTER

PRECAST CONCRETE SHELTER WITH TWO STEEL DOORS,  
**CERTIFIED TO MEET ALL NSSA/ICC STANDARDS**

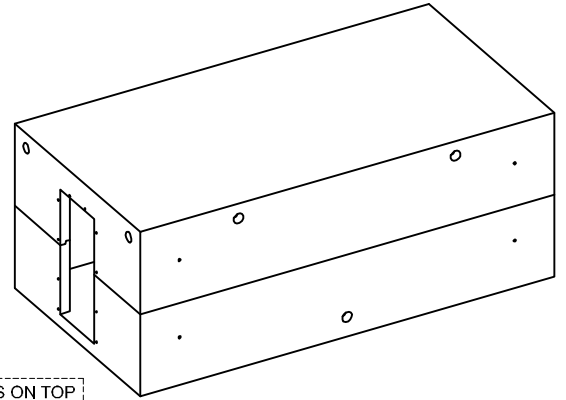
10'-0" (120") WIDE X 20'-0" (240") LONG X 7'-0" (84") HIGH INSIDE DIMENSIONS

**VCP ITEM #SS-10020070-AG**

**34 PERSON CAPACITY**



PLAN VIEW

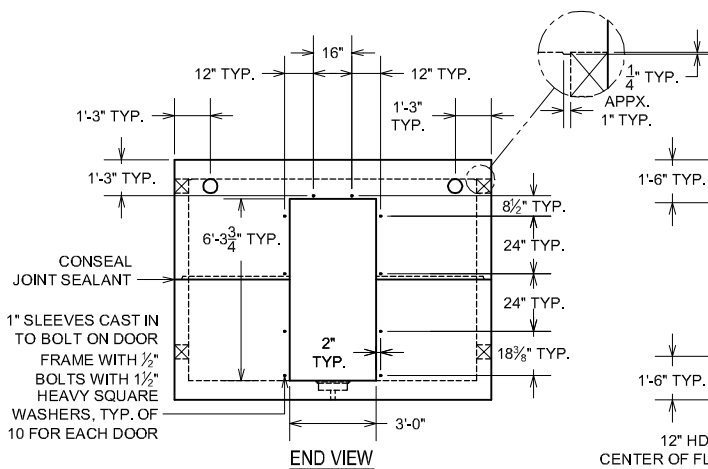


SHELTER SETS ON TOP OF GROUND, NO ANCHORING REQUIRED

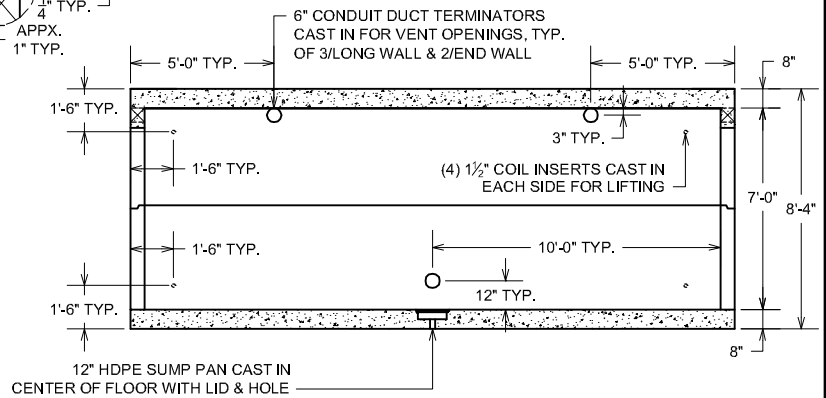
**STORM SHELTER ALSO PROVIDED WITH:**

(2) STEEL DOORS CERTIFIED TO MEET NSSA STANDARD (NOT SHOWN)

STEEL DEFLECTOR PLATES OVER THE (10) 6" DUCT TERMINATORS FOR VENTS (NOT SHOWN)



END VIEW



ELEVATION VIEW

UNIT WITH DOORS WEIGHS APPROXIMATELY 77,000 LBS.  
 TOP HALF OF SHELTER WEIGHS APPX. 38,500 LBS.  
 BOTTOM HALF OF SHELTER WEIGHS APPX. 38,000 LBS.

\*ACTUAL DIMENSIONS OF CONCRETE PRODUCTS MAY VARY SLIGHTLY  
 \*PRODUCT & DRAWING SUBJECT TO CHANGE WITHOUT NOTICE

**NOTES:**

- CONCRETE: 5,000 P.S.I. (MINIMUM)
- REINFORCING: GRADE 60; EQUAL TO #4 REBARS @ 12" O.C.E.W. (MIN.)



DRAWING NOT TO SCALE

SS-10020070-AG-AMARILLO.DWG  
 DATE CREATED: 8/09  
 UPDATED: -----

12650 Tucson Street • Henderson, Colorado 80640 • 303-659-3747, Fax 303-659-1333  
 2671 South Greeley Hwy • Cheyenne, Wyoming 82007 • 307-634-0695, Fax 307-634-0694  
 10021 Amarillo Blvd East • Amarillo, Texas 79108 • 806-374-3747, Fax 806-335-3717