

FRAME SECTION

USED FOR METER PITS

VCP DESIGNATION: EJIW 330-4" WATER METER COVER  
WITH HOLE & RECESS

□ MACHINED SURFACE

EAST JORDAN  
IRON WORKS, INC.  
P.O. BOX 439  
EAST JORDAN, MI. 49727  
1-800-874-4100  
FAX 231-536-4458

DRAWN SBB	DATE 12/06/00
APPROVED	DATE

2425Z FRAME

PRODUCT NO.

**00242511**

CATALOG NO.

**2425Z**

REF. PRODUCT DRAWING

00242511

EST. WT.

FRAME: 120 LBS 54kg

OPEN AREA

N/A

MAT'L SPEC.

FRAME - GRAY IRON  
ASTM A48 CL35

LOAD RATING

HEAVY DUTY

**EAST JORDAN  
IRON WORKS, INC.**  
 P.O. BOX 439  
 EAST JORDAN, MI. 49727  
 1-800-874-4100  
 FAX 231-536-4458

DRAWN SMH	DATE 02/10/04
APPROVED	DATE

**MANHOLE COVER  
W/ CENTER  
TOUCH READER HOLE**

PRODUCT NO.

**00240539**

CATALOG NO.

**2405C**

REF. PRODUCT DRAWING

00240539

EST. WT.

COVER: 125 LBS 57kg

OPEN AREA

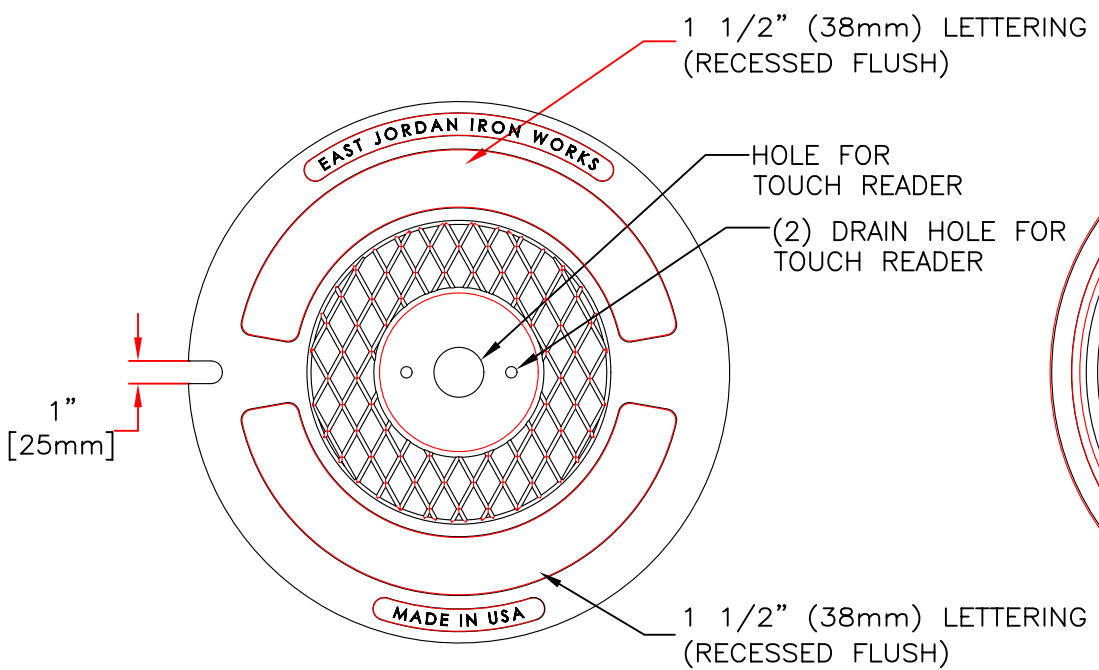
N/A

MAT'L SPEC.

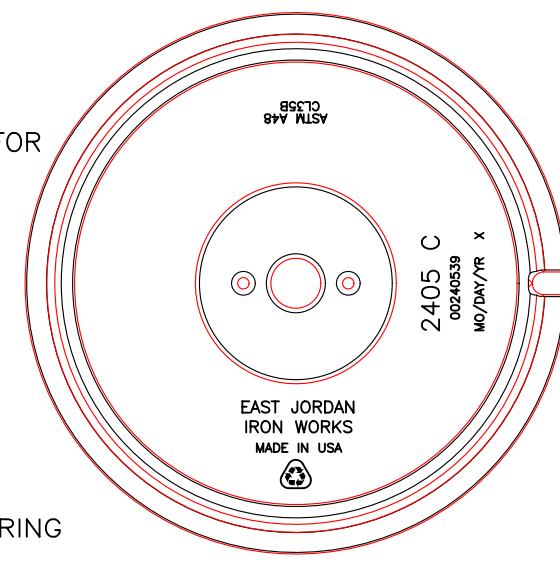
COVER - GRAY IRON  
ASTM A48 CL35B

LOAD RATING

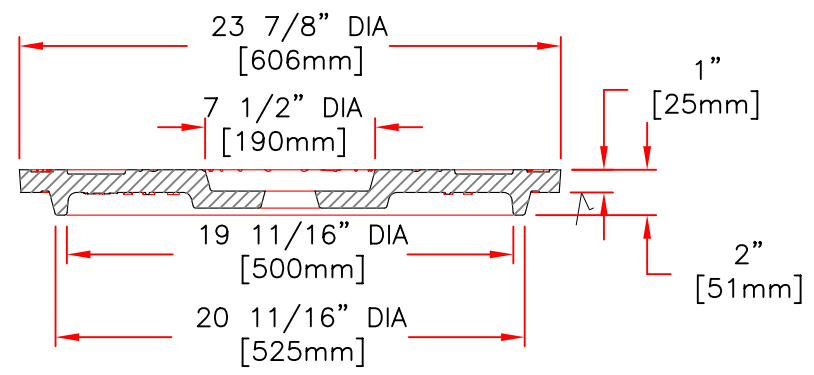
**HEAVY DUTY**



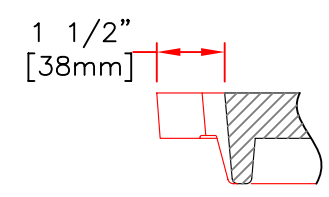
**TOP VIEW**



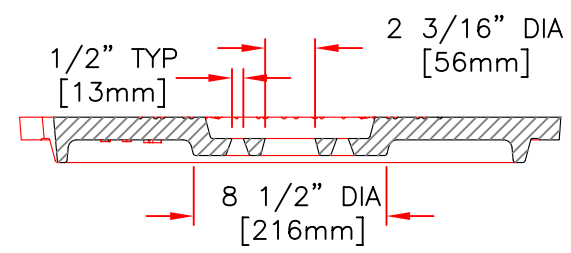
**BOTTOM VIEW**



**COVER SECTION**



**PICKSLOT DETAIL**



**COVER SECTION**

USED FOR METER PITS

VCP DESIGNATION: EJIW 330-4\"/>

□ MACHINED SURFACE