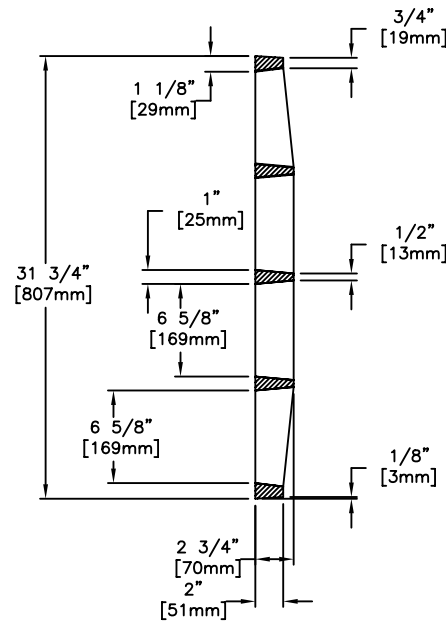
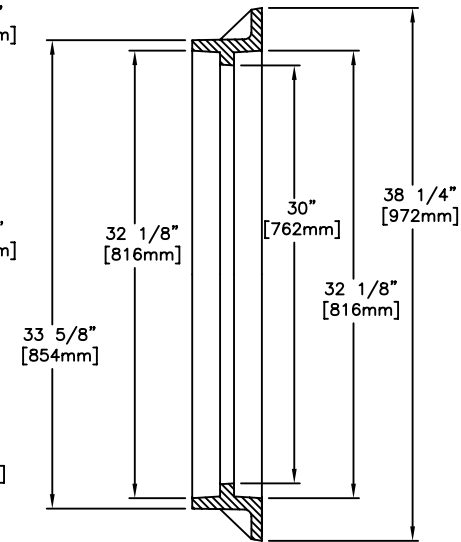


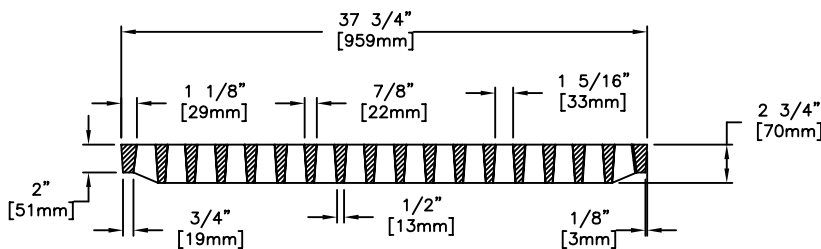
TOP VIEW



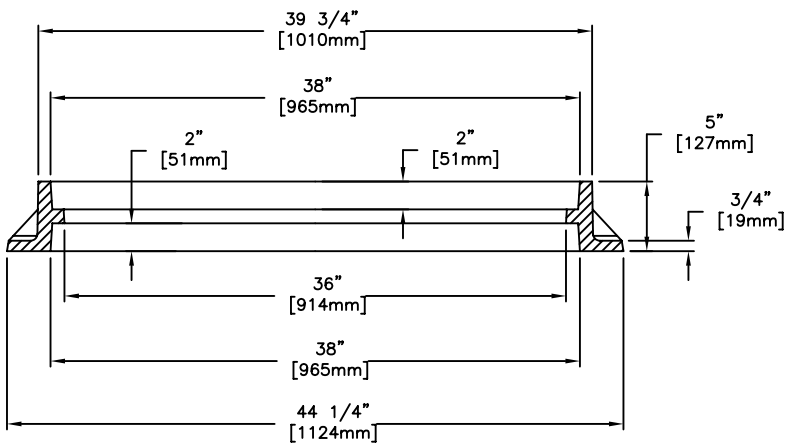
GRATE SECTION



FRAME SECTION



GRATE SECTION



FRAME SECTION

EAST JORDAN
IRON WORKS, INC.
P.O. BOX 439
EAST JORDAN, MI. 49727
1-800-874-4100
FAX 231-536-4458

DRAWN TCL	DATE 00/00/03
APPROVED	DATE

V-5668 FITTED
ASSEMBLY

PRODUCT NO.

45668000

CATALOG NO.

V-5668

REF. PRODUCT NUMBERS
45668030
45668010

EST. WT.
GRATE: 340 LBS 154kg
FRAME: 270LBS 123kg
UNIT: 610 LBS 277kg

OPEN AREA

N/A

MAT'L SPEC.
GRATE - GRAY IRON
ASTM A48 CL35
FRAME - GRAY IRON
ASTM A48 CL35

LOAD RATING

HEAVY DUTY