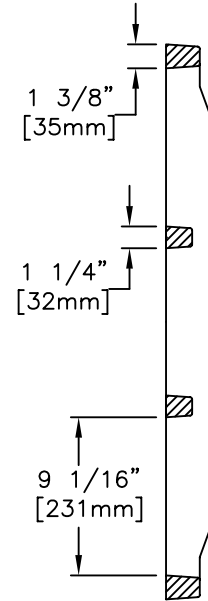
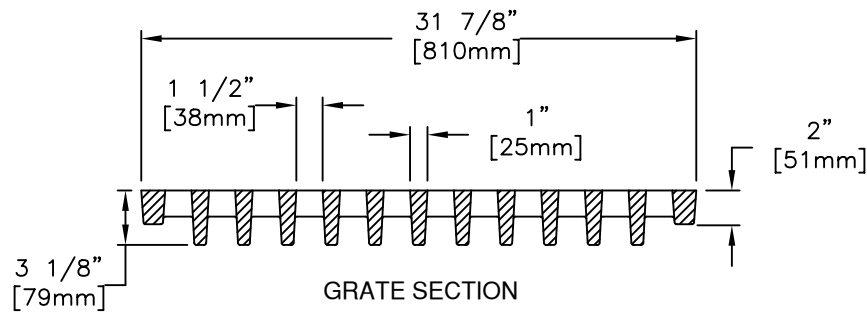


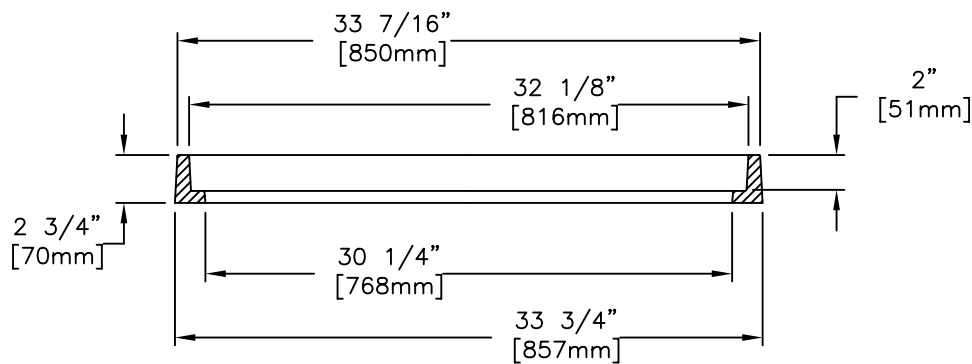
PLAN VIEW



GRATE SECTION



GRATE SECTION



FRAME SECTION

EAST JORDAN  
IRON WORKS, INC.  
P.O. BOX 439  
EAST JORDAN, MI. 49727  
1-800-874-4100  
FAX 231-536-4458

DRAWN TCL	DATE 11/05/02
APPROVED	DATE

## V5732 ASSEMBLY

PRODUCT NO.

**45732003**

CATALOG NO.

**V5732**

PRODUCT NUMBERS

45732010  
45732030

EST. WT.

GRATE: 305 LBS 139kg  
FRAME: 105 LBS 48kg  
UNIT: 410 LBS 186kg

OPEN AREA

N/A

MAT'L SPEC.

GRATE - GRAY IRON  
ASTM A48 CL35  
FRAME - GRAY IRON  
ASTM A48 CL35

LOAD RATING

HEAVY DUTY