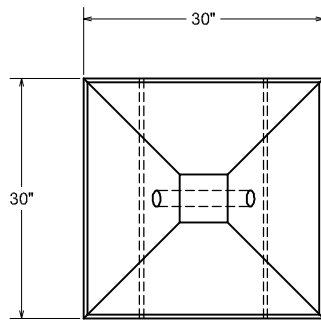


PRECAST CONCRETE

DRAGON TOOTH BOLLARD

30" WIDE X 30" LONG X 30" TALL OVERALL DIMENSIONS

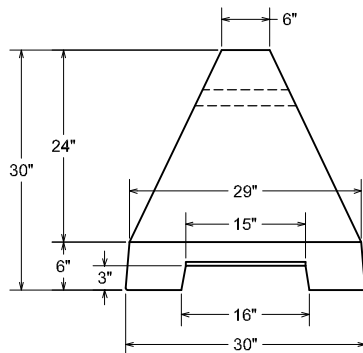
- GREAT FOR PROTECTING STORE FRONTS, SCHOOLS & RECREATIONAL FACILITIES OF ALL TYPES!
- CONTRACTOR FRIENDLY!



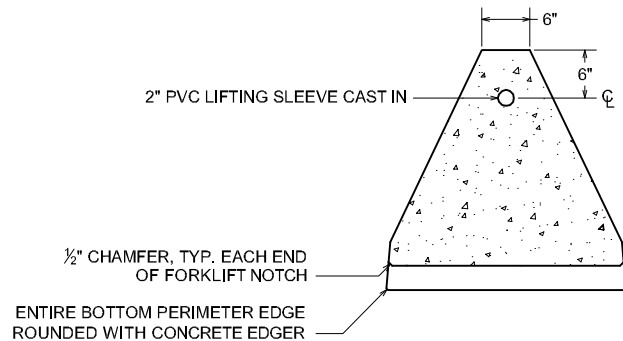
PLAN VIEW



STANDARD BOLLARD SHOWN WITH GREY CONCRETE FORM FINISH



ELEVATION VIEW



SECTION VIEW

WEIGHT:

- BOLLARD WEIGHS APPX. 1,030 LBS.

NOTES:

- CONCRETE: 4000 P.S.I. MINIMUM
- REINFORCING: GRADE 60 MINIMUM
- BOTTOM PERIMETER REBAR FRAME & REBAR REINFORCING LOOPS ARE PLACED OVER THE LIFTING SLEEVE

FINISH:

- STANDARD GREY CONCRETE FORM FINISH

- EXCELLENT FOR TRAFFIC CONTROL!
- EASILY MOVED WITH A SMALL FORKLIFT!
- CABLE, PIPE OR PENNANT BANNER CAN EASILY BE STRUNG FROM BOLLARD TO BOLLARD THROUGH THE 2" PVC LIFTING SLEEVE!

ACTUAL DIMENSIONS OF CONCRETE PRODUCTS MAY VARY SLIGHTLY

vaughn
concrete products, inc.

DRAWING NOT TO SCALE

DRAGON TOOTH BOLLARD.DWG
DATE CREATED: 1/10
UPDATED:

12650 Tucson Street • Henderson, Colorado 80640 • 303-659-3747, Fax 303-659-1333
2671 South Greeley Hwy • Cheyenne, Wyoming 82007 • 307-634-0695, Fax 307-634-0694
10021 Amarillo Blvd East • Amarillo, Texas 79108 • 806-374-3747, Fax 806-335-3717

www.vaughnconcreteproducts.com