

PRECAST CONCRETE SEPTIC TANK

1500 GALLON CAPACITY - 2-PIECE STANDARD FOR TEXAS

2-PIECE BODY

TOP SECTION VEES INTO BOTTOM SECTION

TANK MEETS MOST STATE & COUNTY HEALTH DEPARTMENT REQUIREMENTS

4" THICK FLOOR & WALLS, 5" THICK ROOF
3" THICK DIVIDER WALL

2 COMPARTMENT TANK WITH APPROXIMATELY 60% OF CAPACITY ON INLET SIDE

WITHSTANDS UP TO 6' OF BURY, RISERS ARE AVAILABLE FOR INLET & OUTLET

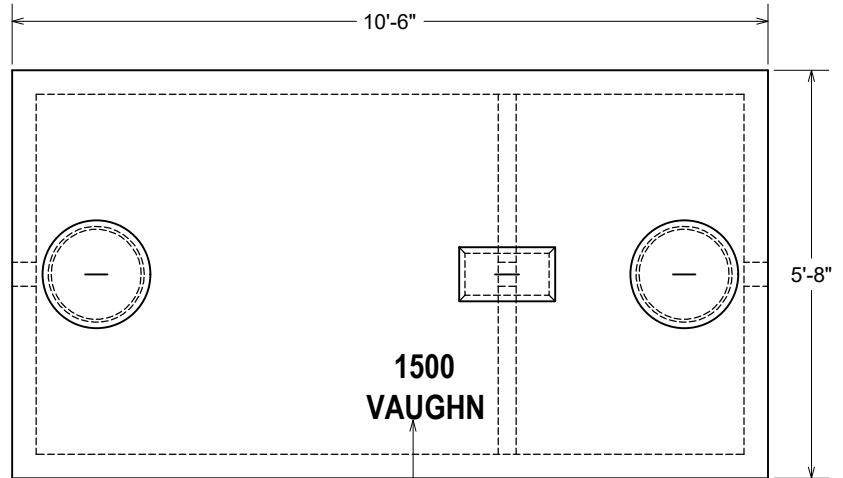
OPTIONS:

- INLET & OUTLET PIPES AVAILABLE ON SIDES & ENDS OF TANK
- **9" THICK ROOF FOR TRAFFIC LOADINGS
- 24" I.D. MANHOLE RISERS
- CAST IRON RINGS & COVERS

DIGGING SPECIFICATIONS:

- 58" BELOW THE INLET
- EXCAVATION TO BE 6'-6" WIDE X 14' LONG
- SEE OUR INSTALLATION GUIDELINES PRIOR TO INSTALLING THIS TANK

IT IS THE EXCAVATOR'S OR INSTALLER'S RESPONSIBILITY TO REQUEST OUR INSTALLATION GUIDELINES PRIOR TO INSTALLING THIS TANK



PLAN VIEW

DURING PRODUCTION, "TANK SIZE" & "VAUGHN" ARE STAMPED IN TOP, "IN" & "OUT" ARE MARKED ON TANK ENDS

OUR STANDARD 18" DIAMETER CONCRETE ACCESS LIDS, TYP. OF 2

PIPING BLOCKOUTS WITH POLYLOK PIPE SEALS CAST IN TANK FOR INLET & OUTLET PIPING (TYPICAL)

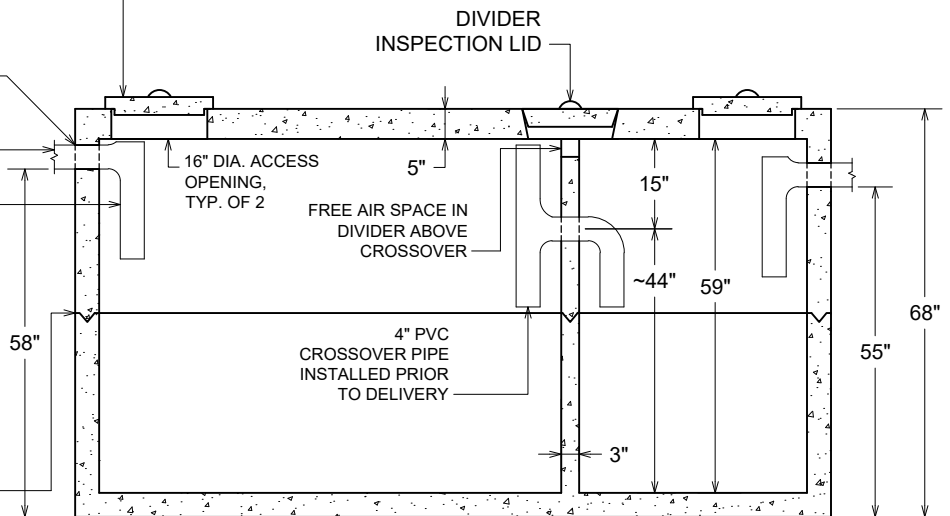
CONTRACTOR'S 4" PIPES

CONTRACTOR SUPPLIED
4" SDR35 INLET & OUTLET TEES

TANK WEIGHTS:

- NON-TRAFFIC RATED
- NON-TRAFFIC TANK: APPX. 14,300 LBS.
- TRAFFIC RATED
- TRAFFIC TANK: APPX. 17,100 LBS.

TOP SECTION VEES INTO BOTTOM SECTION;
SEALED WITH JOINT SEALANT



SECTION VIEW

CONCRETE : 4,000 P.S.I. (MINIMUM)
REINFORCING : REBAR & WELDED WIRE FABRIC

ACTUAL DIMENSIONS OF CONCRETE PRODUCTS MAY VARY SLIGHTLY

DRAWING IS NOT TO SCALE

vaughn concrete products, inc.

1500 GAL. 2-PIECE SEPTIC TANK.DWG
DATE CREATED: 12/09
UPDATED: 8/2021