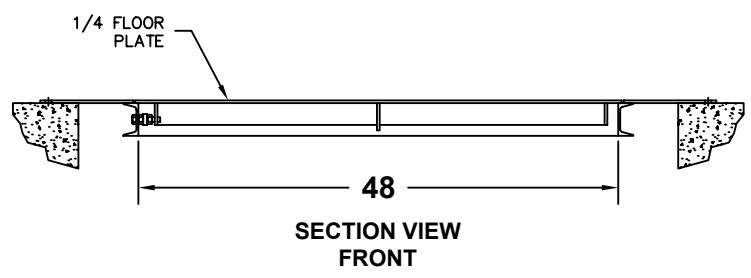
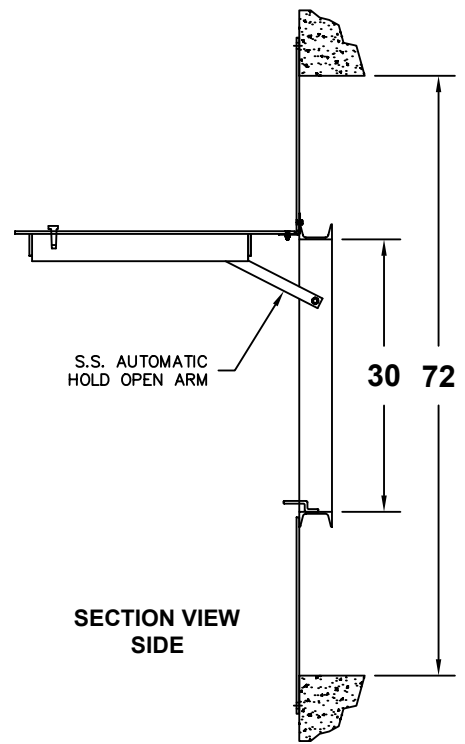
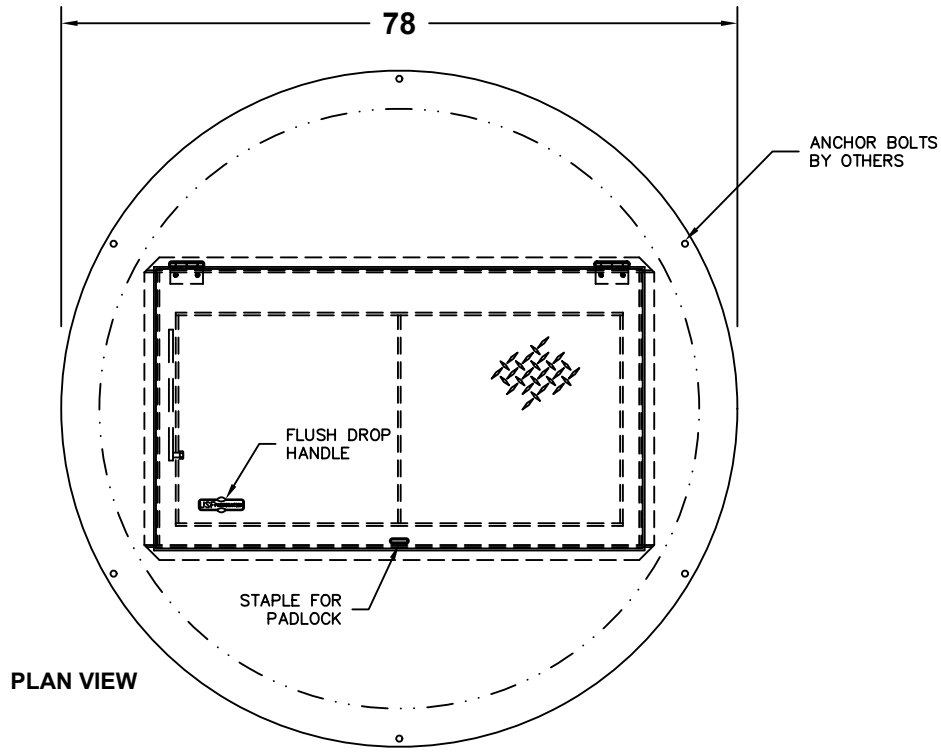


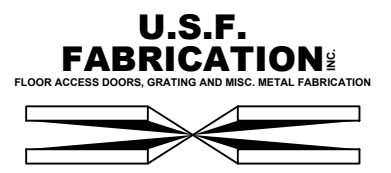
BASIN COVER, PEDESTRIAN LOADING, SINGLE DOOR - ALUMINUM

This drawing is the sole property of U.S.F. Fabrication, Inc. and is for illustrative purposes only.



NOTES:
Weight: 165 lbs. (approx. hatch base weight w/o options)

- NOTES:
- 1- MATERIAL: ALUMINUM
 - 2- LOADING: 300 LBS. PER SQ. FT.
 - 3- 316 STAINLESS STEEL BOLTS HINGES AND HOLD OPEN ARM



BPS 78" x 72"		
CLEAR OPENING: 27" x 48"		
FROM:	QUOTE#	DATE:
WEB ID: 556	19054	1/31/2011