

PRECAST CONCRETE GREASE INTERCEPTOR (H-20)

**MONOLITHIC BODY
NO SEAMS OR JOINTS**

**1000 GALLON CAPACITY
SUITABLE FOR AASHTO HS-20-44 LOADINGS**

IT IS THE EXCAVATOR'S OR
INSTALLER'S RESPONSIBILITY TO
REQUEST OUR *INSTALLATION
GUIDELINES* PRIOR TO
INSTALLING THIS TANK

6" THICK FLOOR
6" THICK WALLS
8" THICK LID

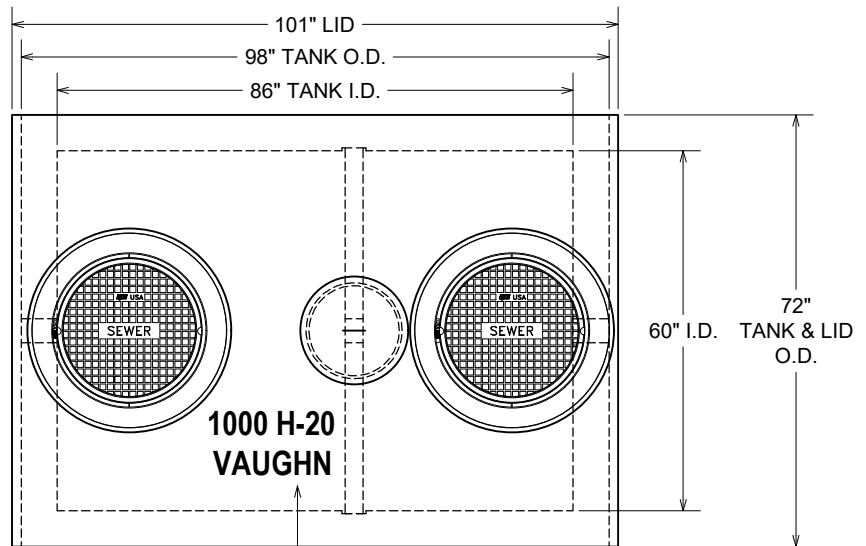
2 COMPARTMENT TANK WITH
APPROXIMATELY 60% OF CAPACITY ON
INLET SIDE

TANK IS PROVIDED WITH NOTCHES IN
SIDEWALLS FOR SLIP-IN DIVIDER WALL

WITHSTANDS UP TO 6' OF BURY, RISERS
ARE AVAILABLE FOR INLET & OUTLET

OPTIONS:

- 24" I.D. MANHOLE RISERS
- GAS TIGHT CAST IRON RINGS & COVERS



PLAN VIEW

DURING PRODUCTION, "TANK SIZE" &
"VAUGHN" ARE STAMPED IN LID, "IN" &
"OUT" ARE MARKED ON TANK ENDS

OUR STANDARD 24" DIAMETER CAST
IRON RINGS & COVERS, TYP. OF 2

24" I.D. MANHOLE RISER AS REQUIRED,
TYP. INLET/OUTLET END; AVAILABLE IN
2", 3", 4", 6", 8" & 12" HEIGHTS

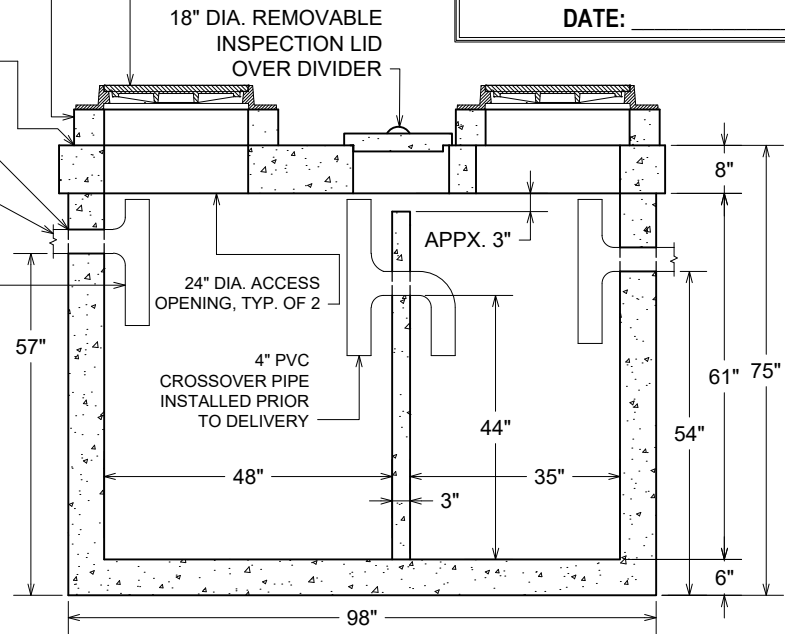
JOINT SEALANT, OR
CONTRACTOR TO GROUT

PIPING BLOCKOUTS WITH PIPE
SEALS CAST IN TANK FOR INLET &
OUTLET PIPING (TYPICAL)

CONTRACTOR'S 4" PIPES

CONTRACTOR SUPPLIED
4" SDR35 INLET & OUTLET TEES

APPROVED BY: _____
DATE: _____



SECTION VIEW

TANK WEIGHTS:

- TANK LID : 5,400 LBS.
- TANK WITH DIVIDER ONLY : 14,700 LBS.
- COMPLETE INTERCEPTOR : 20,100 LBS.

DIGGING SPECIFICATIONS:

- 57" BELOW THE INLET
- EXCAVATION: 7'-0" WIDE X 10'-0" LONG
- SEE OUR *INSTALLATION GUIDELINES* PRIOR TO INSTALLING THIS TANK

CONCRETE : 4,000 P.S.I. (MINIMUM)
REINFORCING : GRADE 60 MINIMUM

ACTUAL DIMENSIONS OF CONCRETE PRODUCTS MAY VARY SLIGHTLY

DRAWING IS NOT TO SCALE



1000 GAL. GI, H20.DWG
DATE CREATED: 10/2010
UPDATED: 8/2021

12650 Tucson Street • Henderson, Colorado 80640 • 303-659-3747, Fax 303-659-1333
2671 South Greeley Hwy • Cheyenne, Wyoming 82007 • 307-634-0695, Fax 307-634-0694
10021 Amarillo Blvd East • Amarillo, Texas 79108 • 806-374-3747, Fax 806-335-3717

www.vaughnconcreteproducts.com