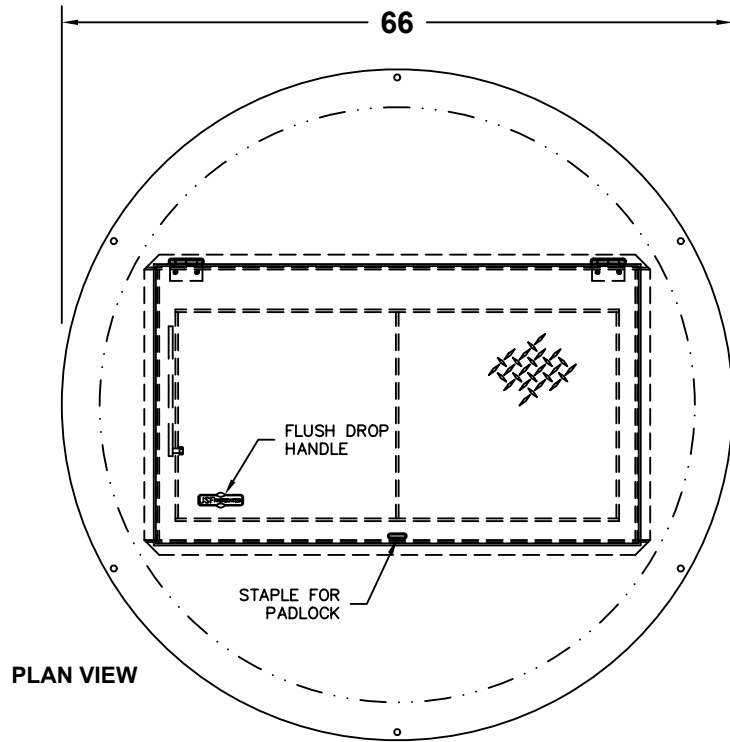
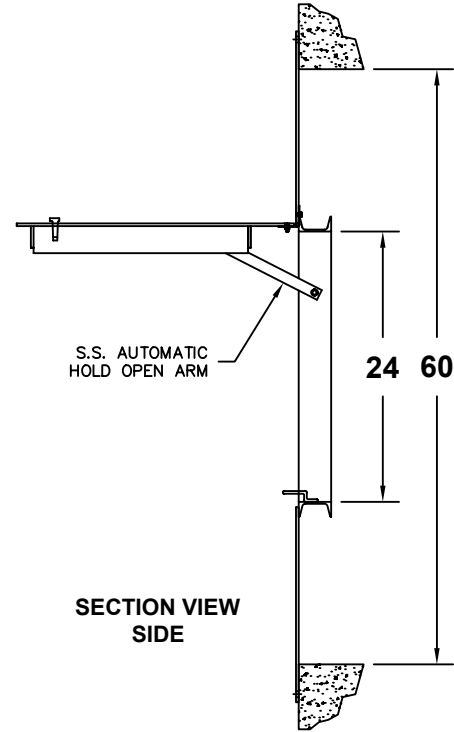


**BASIN COVER, PEDESTRIAN LOADING, SINGLE DOOR - ALUMINUM**

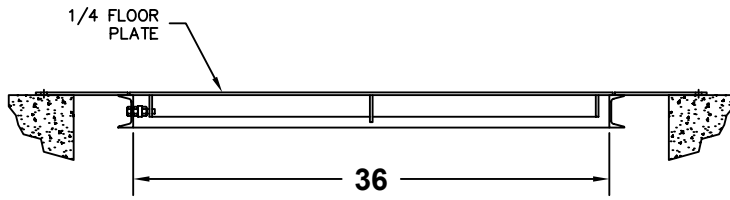
This drawing is the sole property of U.S.F. Fabrication, Inc. and is for illustrative purposes only.



**PLAN VIEW**



**SECTION VIEW SIDE**



**SECTION VIEW FRONT**

**NOTES:**

Weight: 111 lbs. (approx. hatch base weight w/o options)

**NOTES:**

- 1- MATERIAL: ALUMINUM
- 2- LOADING: 300 LBS. PER SQ. FT.
- 3- 316 STAINLESS STEEL BOLTS HINGES AND HOLD OPEN ARM

**U.S.F. FABRICATION**  
INC.  
 FLOOR ACCESS DOORS, GRATING AND MISC. METAL FABRICATION



BPS 66" x 60"		
CLEAR OPENING: 22" x 36"		
<b>FROM:</b>	<b>QUOTE#</b>	<b>DATE:</b>
WEB ID: 556	4230.1	12/29/2004