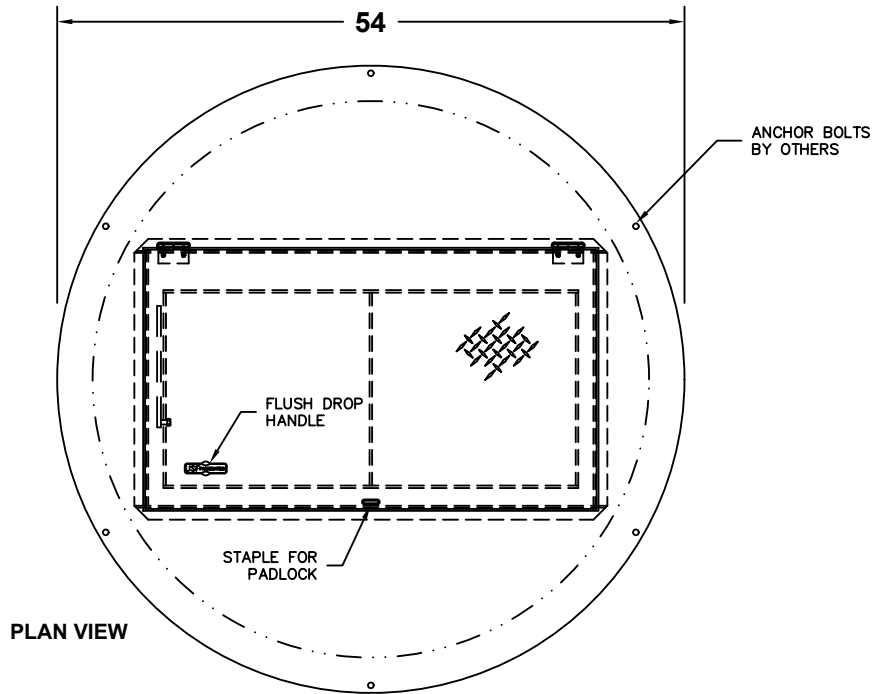
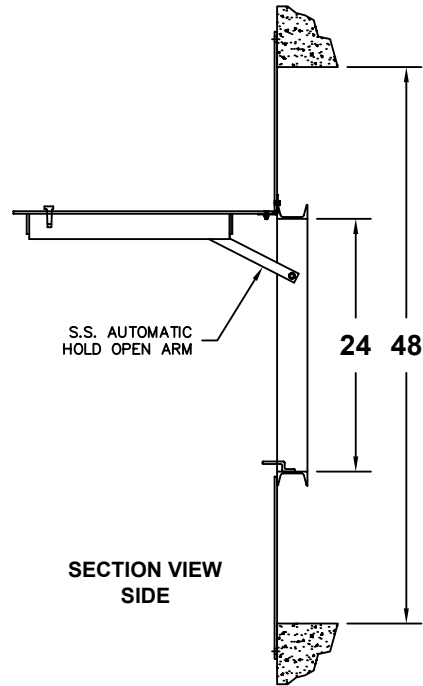


**BASIN COVER, PEDESTRIAN LOADING, SINGLE DOOR - ALUMINUM**

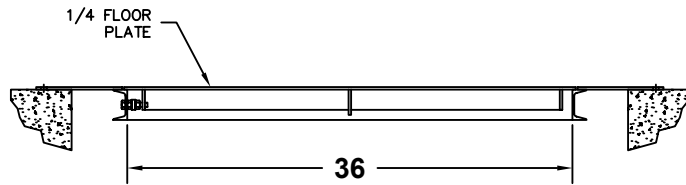
This drawing is the sole property of U.S.F. Fabrication, Inc. and is for illustrative purposes only.



**PLAN VIEW**



**SECTION VIEW SIDE**



**SECTION VIEW FRONT**

**NOTES:**

Weight: 82 lbs. (approx. hatch base weight w/o options)

**NOTES:**

- 1- MATERIAL: ALUMINUM
- 2- LOADING: 300 LBS. PER SQ. FT.
- 3- 316 STAINLESS STEEL BOLTS  
HINGES AND HOLD OPEN ARM



BPS 54" x 48"		
CLEAR OPENING: 22" x 36"		
FROM:	QUOTE#	DATE:
WEB ID: 556	19053	1/31/2011