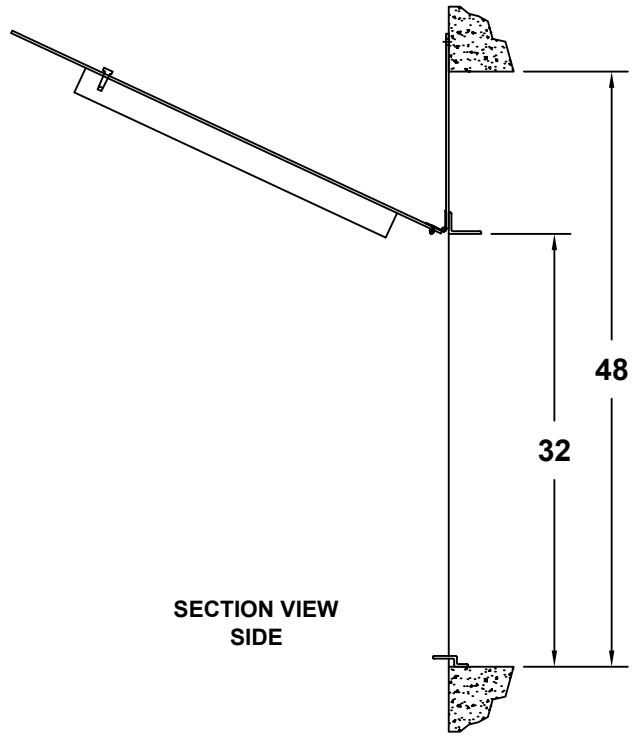
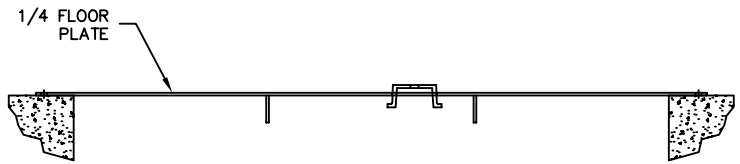
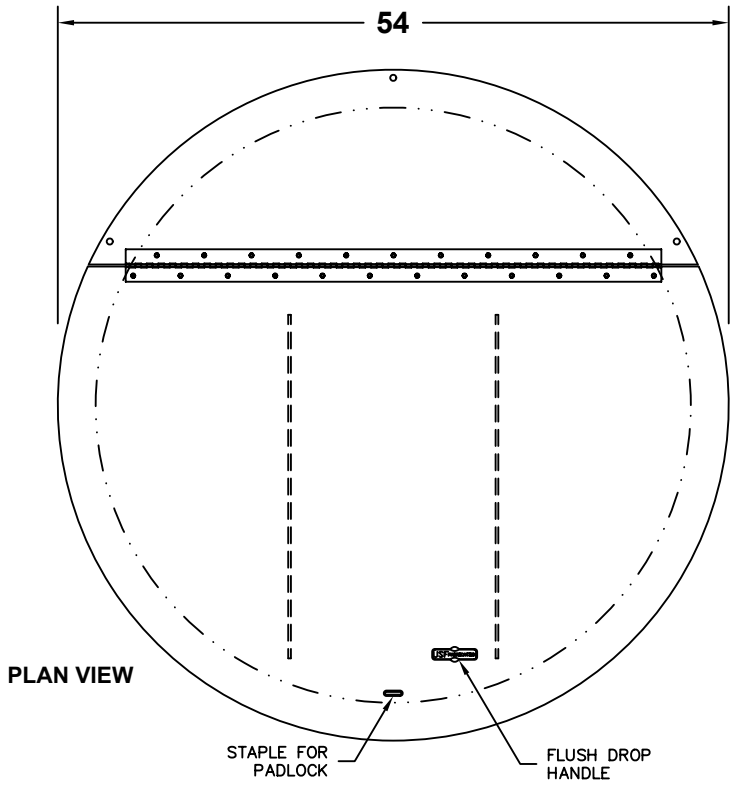


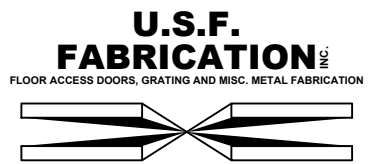
# BASIN PEDESTRIAN COVER - ALUMINUM

This drawing is the sole property of U.S.F. Fabrication, Inc. and is for illustrative purposes only.



**NOTES:**  
 Weight: 82 lbs. (approx. hatch base weight w/o options)

- NOTES:**
- 1- MATERIAL: ALUMINUM
  - 2- LOADING: 300 LBS. PER SQ. FT.
  - 3- 316 STAINLESS STEEL BOLTS HINGES AND HOLD OPEN ARM



|                          |               |              |
|--------------------------|---------------|--------------|
| BPC 54" x 48"            |               |              |
| CLEAR OPENING: 32" x 48" |               |              |
| <b>FROM:</b>             | <b>QUOTE#</b> | <b>DATE:</b> |
| WEB ID: 556              | 3998          | 11/15/2004   |