

# PRECAST CONCRETE GREASE INTERCEPTOR

1500 GALLON CAPACITY  
WITH TOP FOR TRAFFIC  
STANDARD FOR COLORADO & WYOMING

IT IS THE EXCAVATOR'S OR  
INSTALLER'S RESPONSIBILITY  
TO REQUEST OUR  
**INSTALLATION GUIDELINES**  
PRIOR TO INSTALLING THIS  
TANK

GREASE INTERCEPTOR PREVENTS  
GREASE FROM ENTERING COMMUNITY  
SEWAGE COLLECTION SYSTEM & CAUSING  
FREQUENT LINE PLUGGING

LARGE ACCESS OPENINGS PROVIDE  
EASIER PUMPING & MAINTENANCE

2 COMPARTMENT TANK WITH  
APPROXIMATELY 60% OF  
CAPACITY ON INLET SIDE

WITHSTANDS UP TO 6' OF BURY,  
RISERS ARE AVAILABLE FOR  
INLET & OUTLET

**OPTIONS:**

- 24" I.D. MANHOLE RISERS
- GAS TIGHT CAST IRON RINGS & COVERS

PIPING KNOCKOUTS 16" FROM END OF  
TANK TO CENTER OF KNOCKOUT TO  
ALLOW FOR CONCRETE TO BE BROKEN  
OUT TO ALLOW FOR SIDE INLET OR  
OUTLET PIPE AT SAME HEIGHT AS  
STANDARD INLET & OUTLET, TYP. OF 4

4" THICK WALLS & FLOOR, 9" THICK ROOF  
\*NOTE: WALLS & DIVIDER DO TAPER,  
THICKNESSES DO DECREASE TO ALLOW FOR  
FORM REMOVAL; THE AVG. WALL & DIVIDER  
THICKNESSES ARE LISTED

OUR STANDARD 24" DIAMETER CAST  
IRON RINGS & COVERS, TYP. OF 2

24" I.D. MANHOLE RISER AS REQUIRED,  
TYP. INLET/OUTLET END; AVAILABLE IN  
2", 3", 4", 6", 8" OR 12" HEIGHTS

CONSEAL JOINT SEALANT, OR  
CONTRACTOR TO GROUT

PIPING BLOCKOUTS WITH POLYLOK  
PIPE SEALS CAST IN TANK FOR INLET  
& OUTLET PIPING (TYPICAL)

CONTRACTOR'S 4" PIPES  
**CONTRACTOR SUPPLIED**  
4" SDR35 INLET & OUTLET TEES

CONSEAL JOINT SEALANT

**TANK WEIGHTS:**

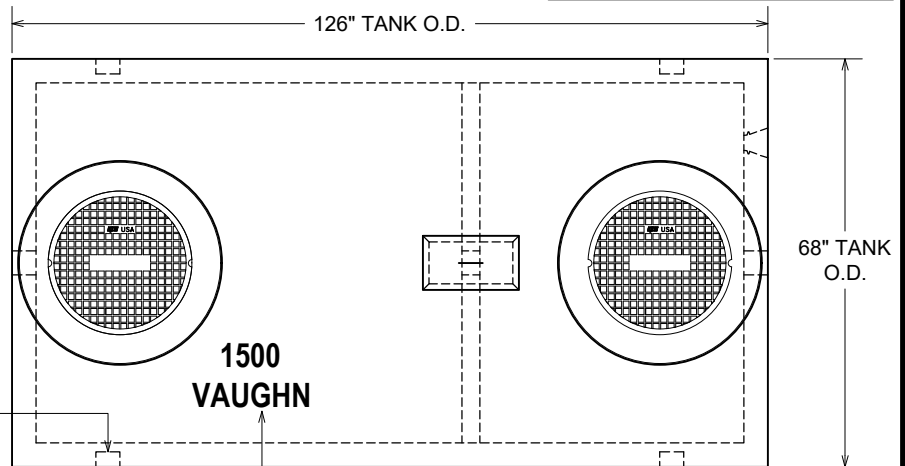
- COMPLETE INTERCEPTOR : 16,800 LBS.

**DIGGING SPECIFICATIONS:**

- 58" BELOW THE INLET
- EXCAVATION TO BE 6½' WIDE X 14' LONG
- SEE OUR *INSTALLATION GUIDELINES*  
PRIOR TO INSTALLING THIS TANK

CONCRETE : 4,000 P.S.I. (MINIMUM)  
REINFORCING : REBAR & WELDED WIRE FABRIC

ACTUAL DIMENSIONS OF CONCRETE PRODUCTS MAY VARY SLIGHTLY

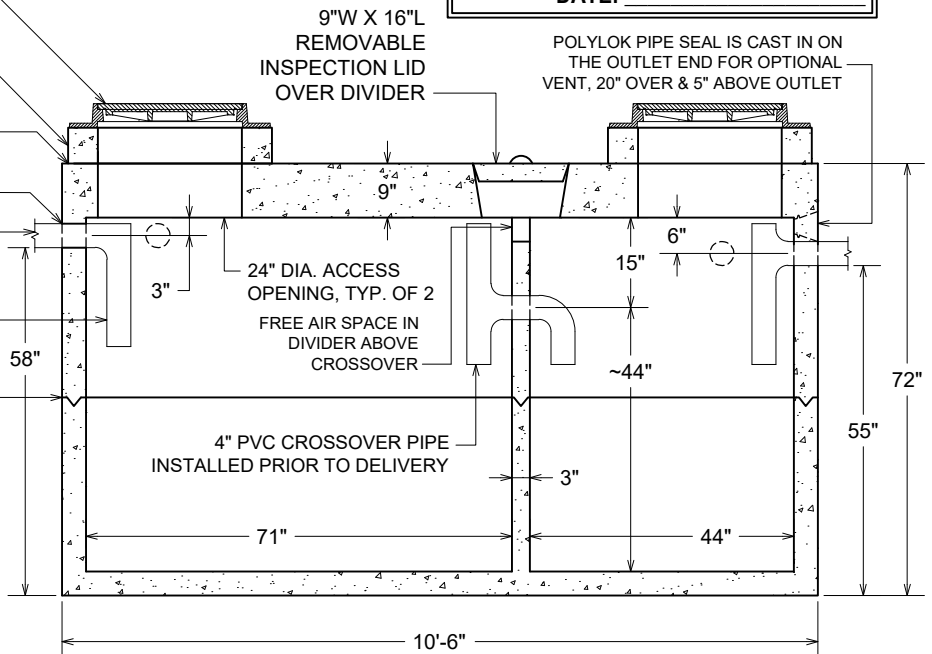


**PLAN VIEW**

DURING PRODUCTION, "TANK SIZE" &  
"VAUGHN" ARE STAMPED IN LID, "IN" &  
"OUT" ARE MARKED ON TANK ENDS

APPROVED BY: \_\_\_\_\_

DATE: \_\_\_\_\_



**SECTION VIEW**

DRAWING IS NOT TO SCALE

1500 GAL. CI, TRAFFIC.DWG  
DATE CREATED: 11 / 04  
UPDATED: 8 / 2021

# vaughn concrete products, inc.

12650 Tucson Street • Henderson, Colorado 80640 • 303-659-3747, Fax 303-659-1333  
2671 South Greeley Hwy • Cheyenne, Wyoming 82007 • 307-634-0695, Fax 307-634-0694

[www.vaughnconcreteproducts.com](http://www.vaughnconcreteproducts.com)