

EAST JORDAN  
 IRON WORKS, INC.  
 P.O. BOX 439  
 EAST JORDAN, MI. 49727  
 1-800-874-4100  
 FAX 231-536-4458

DRAWN SBB	DATE 09/25/00
APPROVED	DATE

MANHOLE FRAME

PRODUCT NO.  
**31267002**

CATALOG NO.  
**NA**

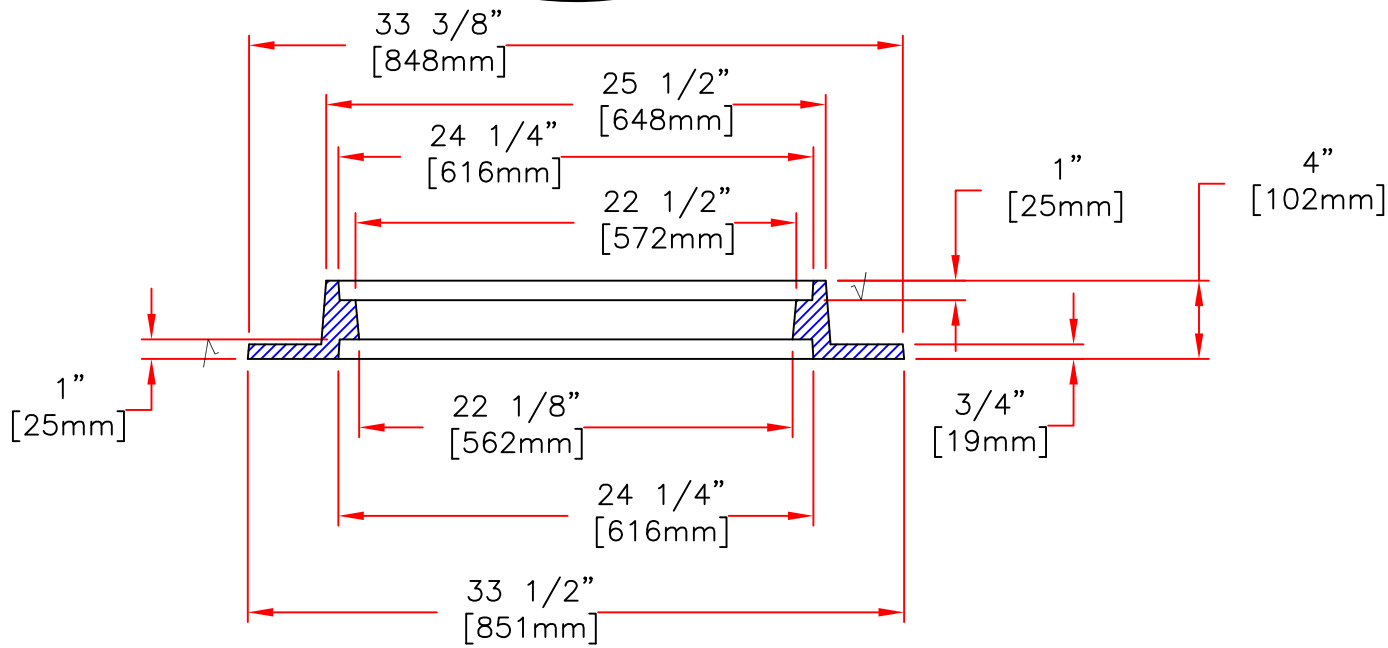
REF. PRODUCT DRAWING  
**NA**

EST. WT.  
 RING: 145 LBS 66kg

OPEN AREA  
**N/A**

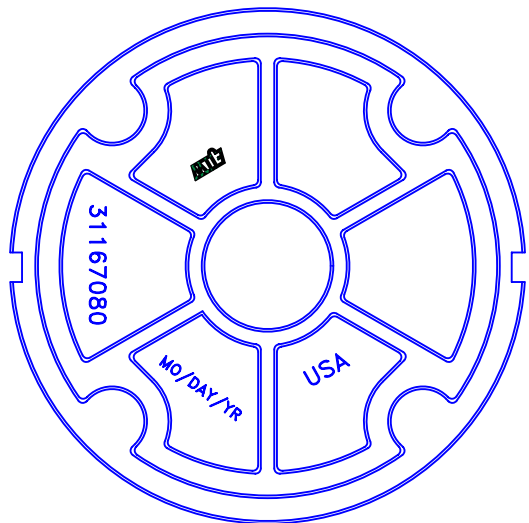
MAT'L SPEC.  
 RING - GRAY IRON  
 ASTM A48 CL30

LOAD RATING  
 HEAVY DUTY  
 MEETS OR EXCEEDS AASHTO HS-20-44  
 LOADING REQUIREMENTS

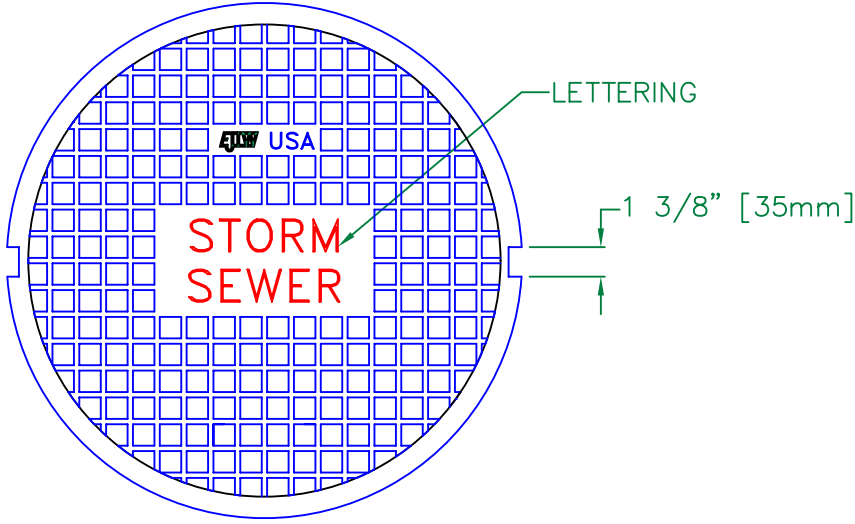


RING SECTION

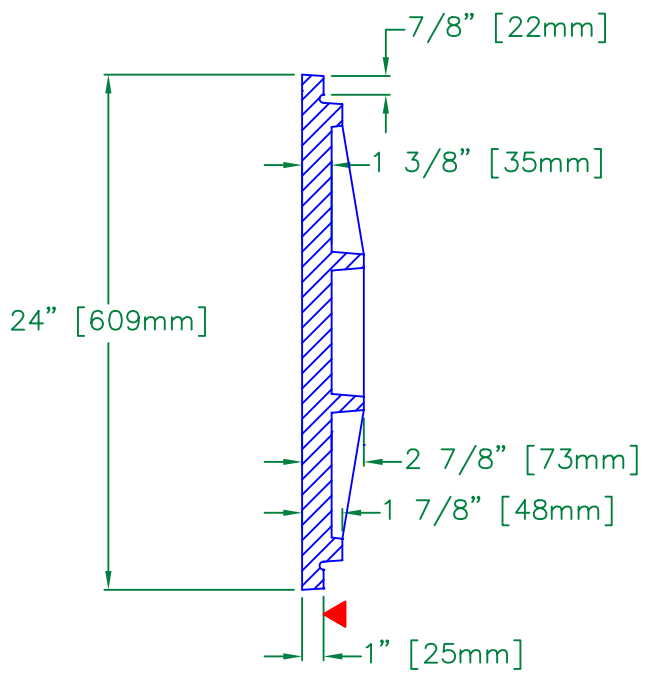
✓ MACHINED SURFACE



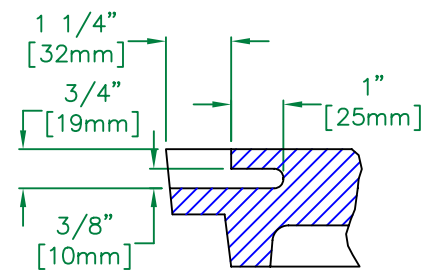
**COVER BACK**



**COVER FACE**



**COVER SECTION**



(2) TYPE TWO NON-PENETRATING PICKHOLES  
**PICKHOLE DETAIL**

EAST JORDAN  
IRON WORKS, INC.  
P.O. BOX 439  
EAST JORDAN, MI. 49727  
1-800-874-4100  
FAX 231-536-4458

DRAWN BAI	DATE 05/22/00
--------------	------------------

APPROVED	DATE
----------	------

315-330  
COVER

PRODUCT NO.  
**31167080**

CATALOG NO.  
315-330

REF. PRODUCT DRAWING  
N/A

EST. WT.  
COVER: 160 LBS 73kg

OPEN AREA  
N/A

MAT'L SPEC.  
COVER- GRAY IRON  
ASTM A48 CL30

LOAD RATING  
**HEAVY DUTY**  
MEETS OR EXCEEDS AASHTO HS-20-44  
LOADING REQUIREMENTS

USED FOR STORM SEWER MANHOLES IN CHEYENNE  
VCP DESIGNATION: EJIW 330-4" "STORM SEWER" CHEYENNE

▼ MACHINED BEARING SURFACE