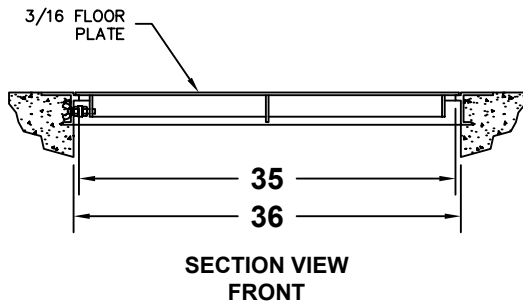
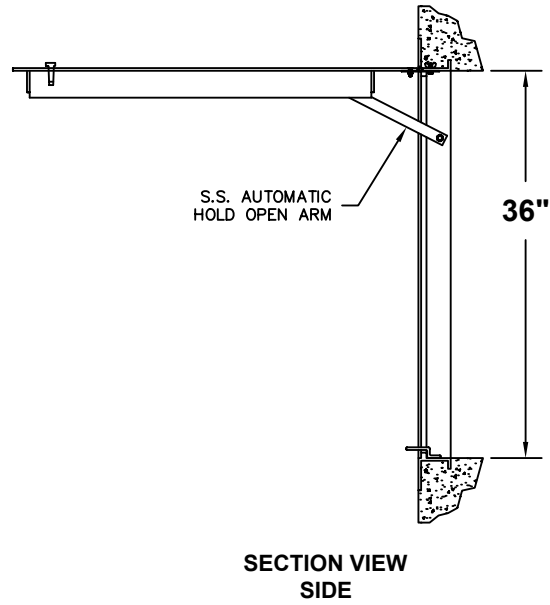
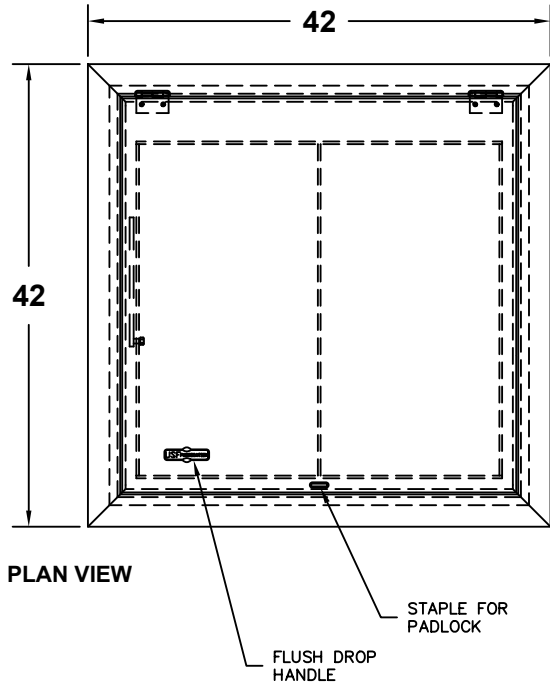


# ANGLE FRAME, PEDESTRIAN LOADING, SINGLE DOOR - ALUMINUM



- NOTES:
- 1- MATERIAL: ALUMINUM
  - 2- LOADING: 150 LBS. PER SQ. FT.
  - 3- 316 STAINLESS STEEL BOLTS  
HINGES AND HOLD OPEN ARM

**U.S.F. FABRICATION** INC.  
FLOOR ACCESS DOORS, GRATING AND MISC. METAL FABRICATION



APS150 ALUMINUM		
FROM:	QUOTE#	DATE:
WEB ID: 7	STANDARD	8/28/2002

This drawing is the sole property of U.S.F. Fabrication, Inc. and is for illustrative purposes only.