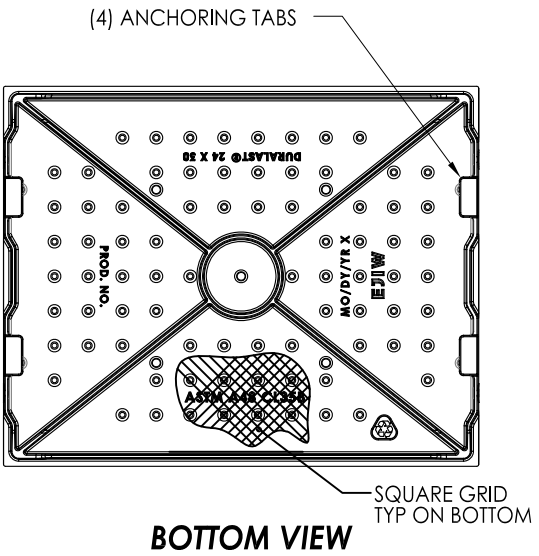
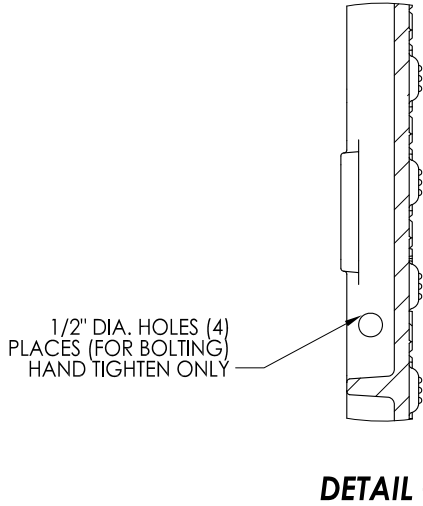
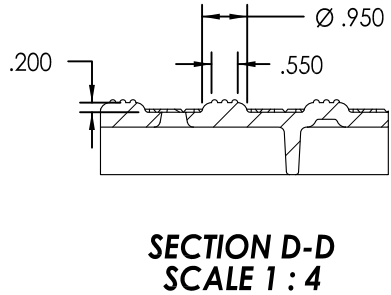
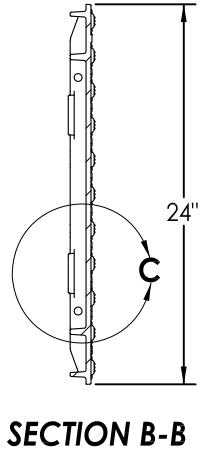
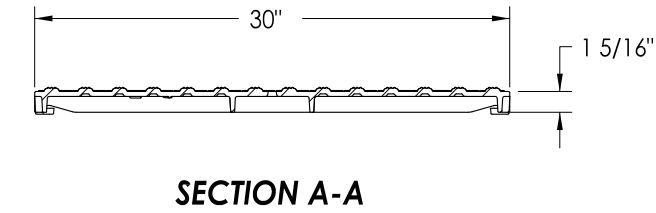
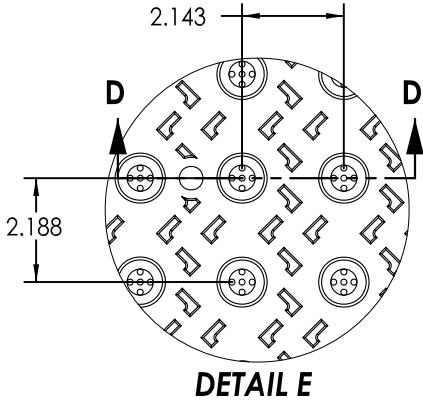
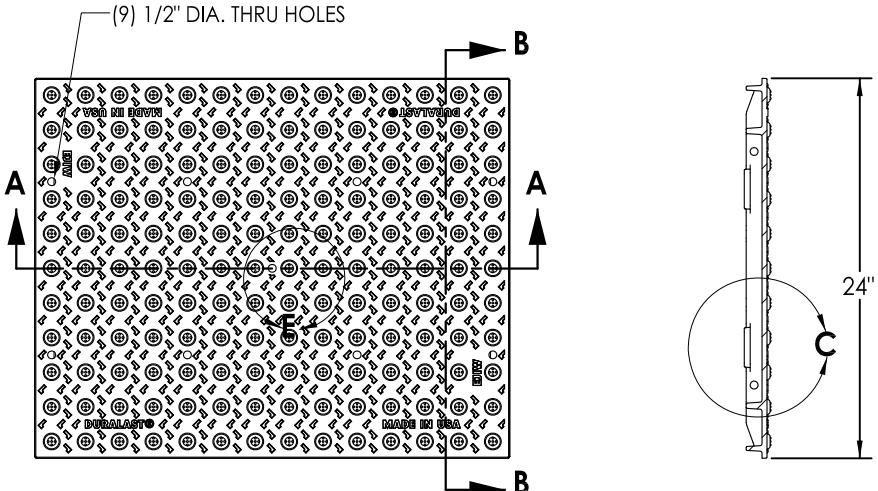


# DURALAST 24" X 30" DWS



**PRODUCT NUMBER**  
00700721

**DESIGN FEATURES**

**MATERIALS:**  
COVER -GRAY IRON  
ASTM A48 CL35B  
**DESIGN LOAD:**  
N/A  
**COATING:**  
UNDIPPED  
**OPEN AREA**  
N/A

**DESIGN INTENT**

DETECTABLE WARNING PLATE  
COMPLIANT WITH ADA ACCESSIBILITY GUIDELINES  
CORROSION RESISTANCE  
MAINTENANCE FREE  
SIMPLIFIED INSTALLATION

**INCLUDED FEATURES**

SLIP RESISTANT SURFACE  
with the ALL? registered trademark  
**ANCHORING TABS:**  
HOLDS DWP IN CONCRETE  
**BOLTING:**  
CONNECTS MULTIPLE PLATES

**ALTERNATE OPTIONS**

**COATINGS:**  
MULTIPLE COLORS

**WEIGHT**

82 LBS.

**DRAWING DETAILS**

ORIGINAL DRAWING DATE 6/23/2009  
REVISED BY: DEF 7/19/2010

Corporate Headquarters  
301 Spring Street  
PO Box 439  
East Jordan, MI  
49727-0439  
800.874.4100

Call Today for More Information

800.626.4653

**EJIW EAST JORDAN**  
IRON WORKS EST. 1883  
WE COVER YOUR INFRASTRUCTURE®

www.ejiw.com  
MADE IN THE USA



Weights (lbs./kg.), dimensions (inches/mm.), and drawings provided for your guidance. We reserve the right to modify specifications without prior notice. Uncontrolled distribution.

CONFIDENTIAL: This drawing is the property of East Jordan Iron works, Inc., and embodies confidential information, registered marks, trade secret information, and/or know how that is the property of East Jordan Iron Works, Inc. ©Copyright 2009 East Jordan Iron Works, Inc.