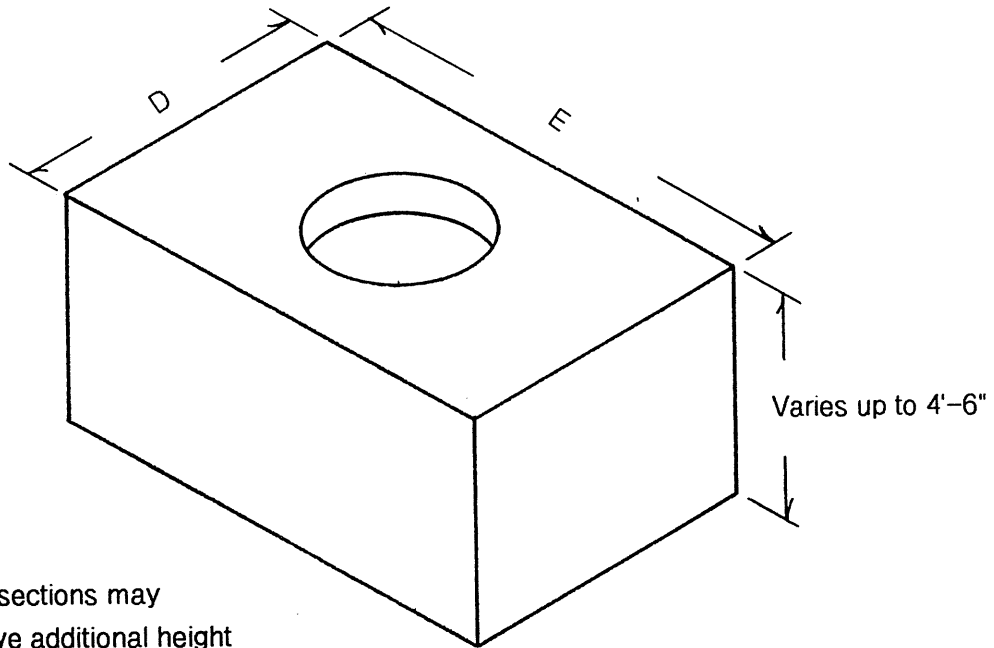
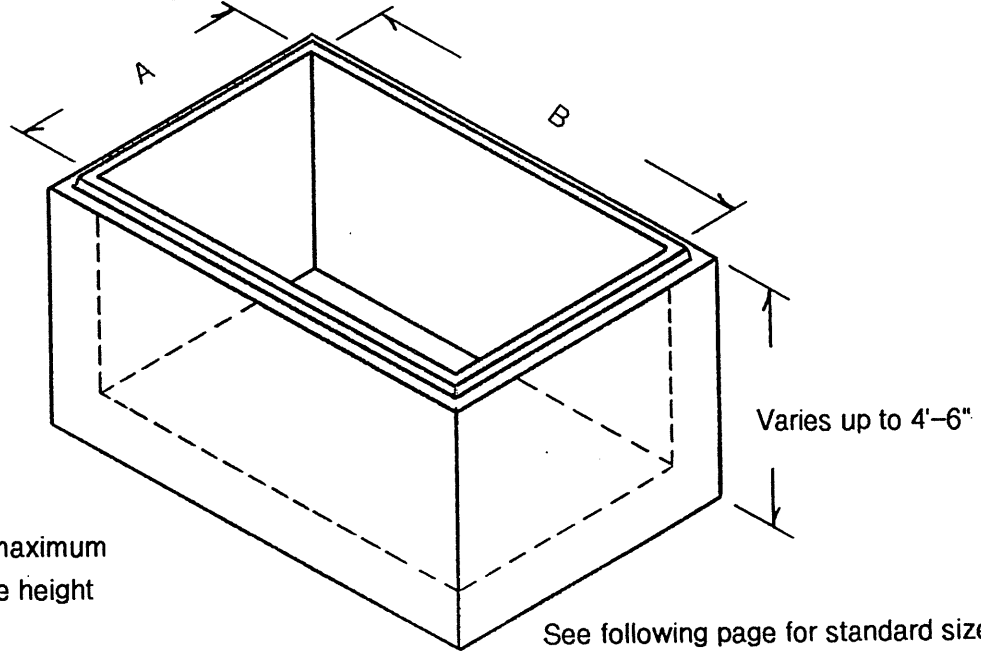


Precast Concrete
SECTIONAL RECTANGULAR VAULT



Intermediate riser sections may be added to achieve additional height



C dimension is maximum assembled inside height

See following page for standard size listings and specifying information

Actual dimensions of concrete products may vary slightly

vaughn
concrete products, inc.

12650 Tucson Street • Henderson, Colorado 80640 • 303-659-3747, Fax 303-659-1333
2671 So. Greeley Hwy • Cheyenne, Wyoming 82007 • 307-634-0695, Fax 307-634-0694
10021 Amarillo Blvd. East • Amarillo, Texas 79107 • 806-374-3747, Fax 806-335-3717

SECTIONAL RECTANGULAR VAULTS

Updated 11/98

Standard Rectangular Sizes Shown

Other Sizes Are Available In Even Foot Increments By Special Order

VCP Item # Specify Inside Height With Last 2 Numbers	A Inside Width	B Inside Length	C 2 Section Inside Maximum Height ****	D Outside Width	E Outside Length
VCP 2030	2'	3'	8'	3'	4'
VCP 2530	2'-6"	3'	8'	3'-6"	4'
VCP 3050	3'	5'	8'	4'	6'
VCP 4060	4'	6'	8'	5'	7'
VCP 50120	5'	12'	8'	6'	13'
VCP 6080	6'	8'	8'	7'	9'
VCP 60120	6'	12'	8'	7'	13'
VCP 60160	6'	16'	8'	7'	17'
VCP 60180	6'	18'	8'	7'	19'
VCP 60240	6'	24'	8'	7'	25'
VCP 80100	8'	10'	8'	9'	11'
VCP 80120	8'	12'	8'	9'	13'
VCP 100120	10'	12'	8'	11'	13'
VCP 100160	10'	16'	8'	11'-4"	17'-4"
VCP 100200	10'	20'	8'	11'-4"	21'-4"
VCP 120160	12'	16'	8'	13'-4"	17'-4"
VCP 120200	12'	20'	8'	13'-4"	21'-4"

Size Specification Example: Vault with inside dimensions 5' wide x 12' long x 6'-6" high, without floor with removable lid is Item #VCP 5012065NF with removable lid.

Suffix Abbreviations: - NF = No Floor

- With Removable Lid (would allow lid only to be removed to allow work in the vault)

**** Remember additional height is easily achieved by adding intermediate sections.

Vault Options: See vault options sheet for more information for ordering options.