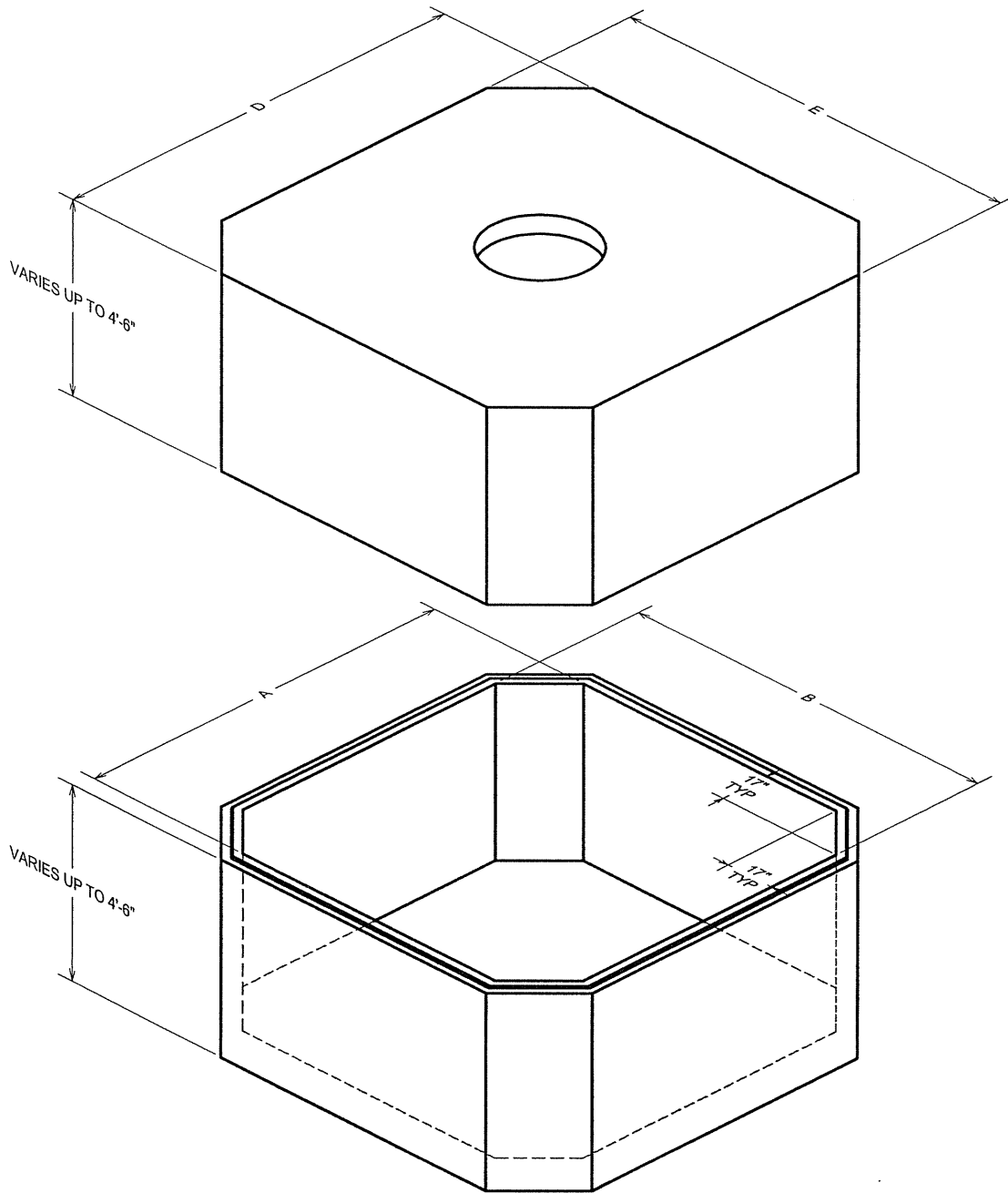


# PRECAST CONCRETE SECTIONAL OCTAGON VAULT



NOTE:  
SECTIONAL SQUARE VAULTS ARE TYPICALLY USED FOR  
VAULT/MANHOLE APPLICATIONS ON A MORE READILY  
AVAILABLE BASIS

DIMENSION C IS THE MAXIMUM ASSEMBLED INSIDE HEIGHT

ACTUAL DIMENSIONS OF CONCRETE PRODUCTS MAY VARY SLIGHTLY

SEE FOLLOWING PAGE FOR STANDARD SIZE LISTINGS &  
SPECIFYING INFORMATION

**vaughn**  
**concrete products, inc.**

OCTAGON VAULT-C CO.DWG  
DATE CREATED: 11.20.02

12650 Tucson Street • Henderson, Colorado 80640 • 303-659-3747, Fax 303-659-1333  
2671 So. Greeley Hwy • Cheyenne, Wyoming 82007 • 307-634-0695, Fax 307-634-0694  
10021 Amarillo Blvd. East • Amarillo, Texas 79108 • 806-374-3747, Fax 806-335-3717

## SECTIONAL OCTAGON VAULTS

**Sectional Square Vaults Are Typically Used For Vault/Manhole Applications On A More Readily Available Basis**

Octagon Vaults Are Available If Required

Updated 11/02

Standard Octagon Sizes Shown

Other Sizes Are Available In Even Foot Increments By Special Order

VCP Item # Specify Inside Height With Last 2 Numbers	A Inside Width	B Inside Length	C 2 Section Inside Maximum Height ****	D Outside Width	E Outside Length
VCP OCT 8080	8'	8'	8'	9'	9'
VCP OCT 100100	10'	10'	8'	11'	11'

Size Specification Example: Vault with inside dimensions 10' wide x 10' long x 6'-6" high is Item #10010065

Suffix Abbreviations: - NF = No Floor

- With Removable Lid (would allow lid only to be removed to allow work in the vault)

\*\*\*\* Remember additional height is easily achieved by adding intermediate sections.

Vault Options: See vault options sheets for more information for ordering options.