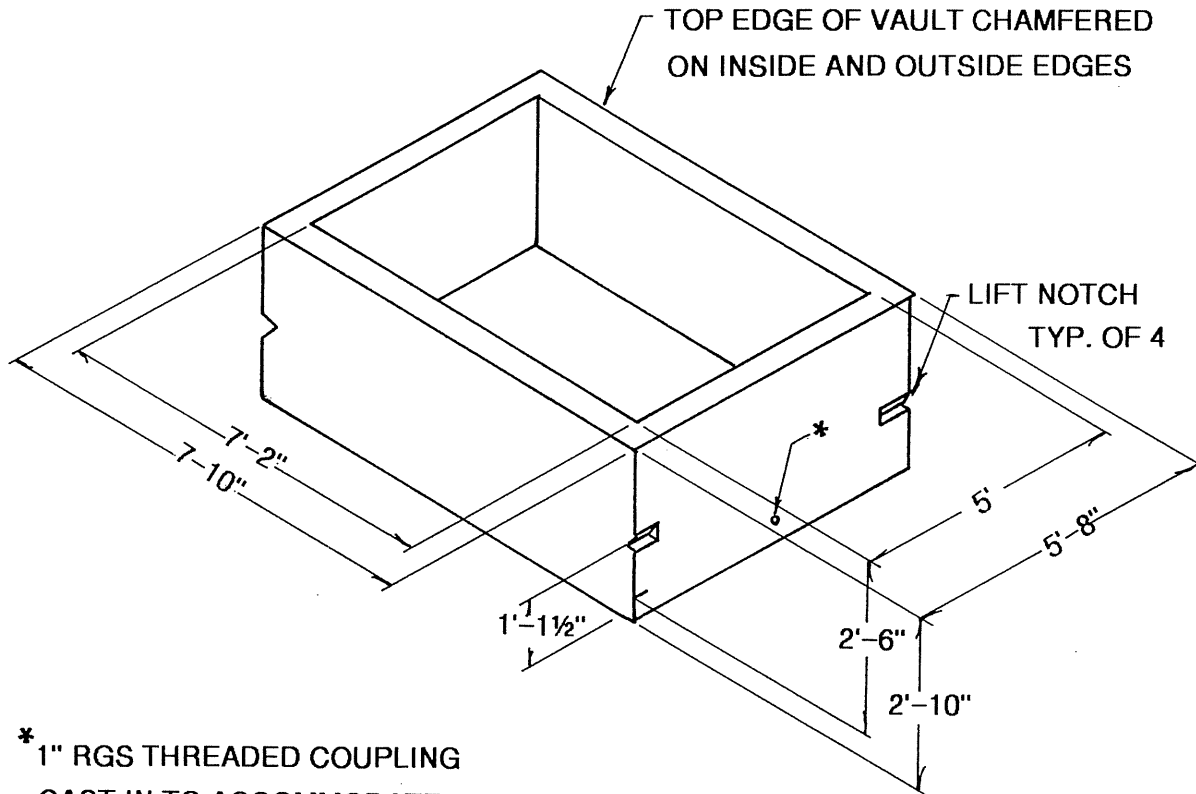


Precast Concrete

CONTAINMENT VAULT

5' Wide x 7'-2" Long x 2'-6" High Inside Dimensions

ECONOMICAL SECONDARY CONTAINMENT FOR
SMALL YARD AND JOBSITE FUEL TANKS



* 1" RGS THREADED COUPLING
CAST IN TO ACCOMMODATE
CONNECTING DRAIN VALVE

PROVIDED WITH LIFT NOTCHES FOR
EASY HANDLING AND TRANSPORT

UNIT WEIGHS APPROX. 5400 LBS.

Concrete 4000 P.S.I. Minimum
Reinforced with Wire Mesh
Actual dimensions of concrete products may vary slightly

vaughn
concrete products, inc.

UPDATED 11/97

12650 Tucson Street • Henderson, Colorado 80640 • 303-659-3747, Fax 303-659-1333
2671 So. Greeley Hwy • Cheyenne, Wyoming 82007 • 307-634-0695, Fax 307-634-0694
10021 Amarillo Blvd. East • Amarillo, Texas 79107 • 806-374-3747, Fax 806-335-3717