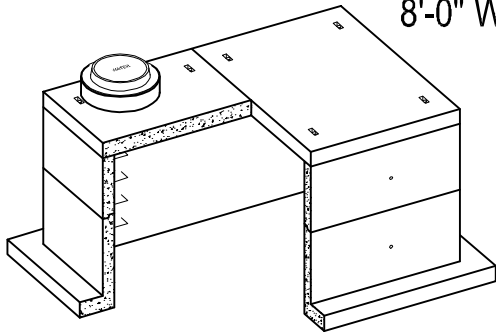


PRECAST CONCRETE

# WATER METER VAULT

8'-0" WIDE X 12'-0" LONG X 6'-8" HIGH INSIDE DIMENSIONS  
 VCP ITEM #8012066 WMV WITH FOOTING  
 WITH RING & COVER



8" DIAMETER PIPING BLOCKOUTS 10" OFF THE TOP OF THE FOOTING TO THE BOTTOM OF THE BLOCKOUTS,  
 OPTIONAL: PRESS-IN GASKET FOR 2", 3" OR 4" PIPE CAN BE INSTALLED

LID SECTIONS LIFT WITH 4 SINK-ITS

VAULT SECTIONS LIFT WITH (4) 1 1/2" COIL BOLTS

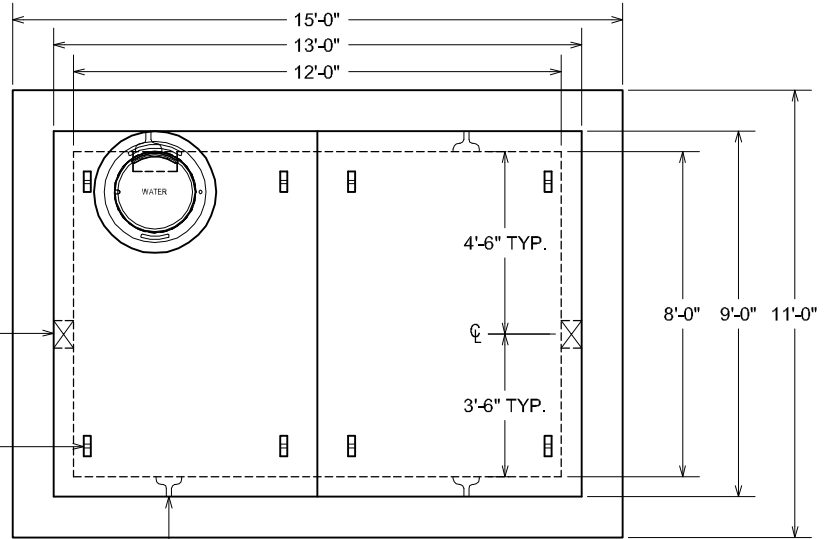
OUR STANDARD 24" DIAMETER CAST IRON RING & WATER METER COVER WITH HOLE & RECESS,  
 OR OUR STANDARD 24" DIAMETER ALUMINUM RING & COVER

24" I.D. X 8" TALL MANHOLE RISER

CONSEAL JOINT SEALANT

8" DIAMETER PIPING BLOCKOUTS 10" OFF THE TOP OF THE FOOTING TO THE BOTTOM OF THE BLOCKOUTS,  
 OPTIONAL: PRESS-IN GASKET FOR 2", 3" OR 4" PIPE CAN BE INSTALLED

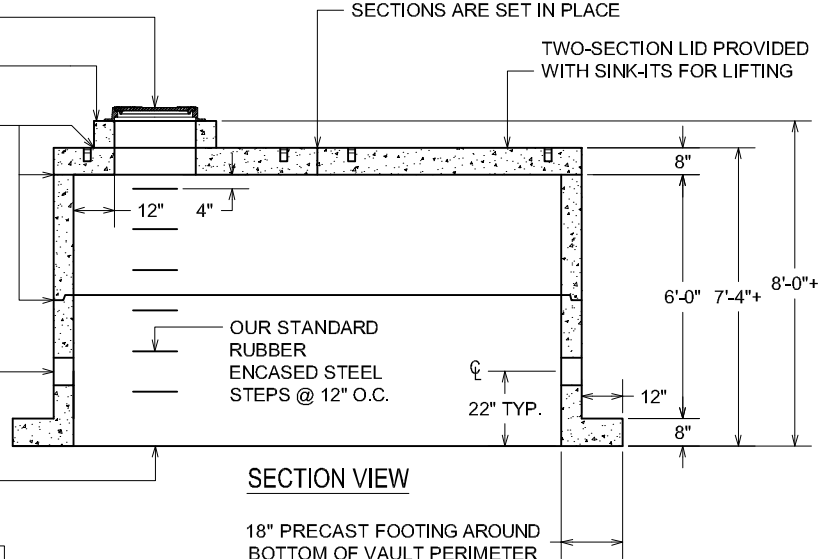
BOTTOM OF VAULT PROVIDED OPEN, WITHOUT FLOOR



PLAN VIEW

TOP OF JOINT PROVIDED WITH 6" WIDE X 12' LONG PIECE OF CS-212 CONWRAP FOR CONTRACTOR TO INSTALL AFTER LID SECTIONS ARE SET IN PLACE

TWO-SECTION LID PROVIDED WITH SINK-ITS FOR LIFTING



SECTION VIEW

18" PRECAST FOOTING AROUND BOTTOM OF VAULT PERIMETER

**NOTES:**

- CONCRETE: 5000 P.S.I. MINIMUM
- REINFORCING: GRADE 60 MINIMUM
- SUITABLE FOR AASHTO HS-20-44 LOADINGS

**WEIGHTS:**

- HEAVIEST PIECE WEIGHS APPX. 18,000 LBS.

ACTUAL DIMENSIONS OF CONCRETE PRODUCTS MAY VARY SLIGHTLY

DRAWING NOT TO SCALE



WATER METER VAULT, 8X12 RING & COVER.DWG  
 DATE CREATED: 12/07  
 UPDATED: -----

12650 Tucson Street • Henderson, Colorado 80640 • 303-659-3747, Fax 303-659-1333  
 2671 South Greeley Hwy • Cheyenne, Wyoming 82007 • 307-634-0695, Fax 307-634-0694  
 10021 Amarillo Blvd East • Amarillo, Texas 79108 • 806-374-3747, Fax 806-335-3717