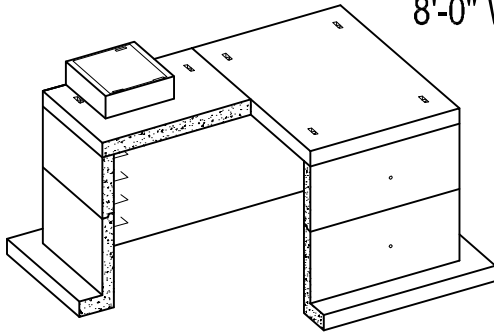


PRECAST CONCRETE

WATER METER VAULT

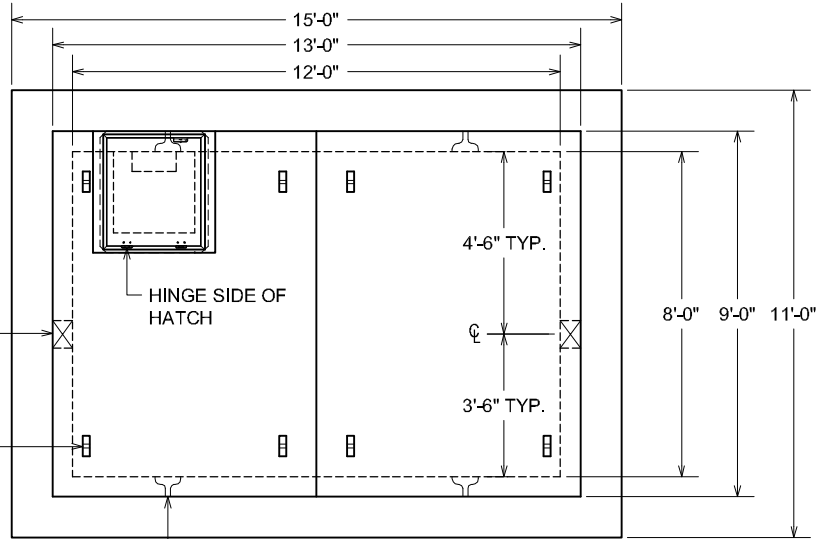
8'-0" WIDE X 12'-0" LONG X 6'-8" HIGH INSIDE DIMENSIONS
 VCP ITEM #8012066 WMV WITH FOOTING
 WITH TRAFFIC RATED HATCH



8" DIAMETER PIPING BLOCKOUTS 10" OFF THE TOP OF THE FOOTING TO THE BOTTOM OF THE BLOCKOUTS,
 OPTIONAL: PRESS-IN GASKET FOR 2", 3" OR 4" PIPE CAN BE INSTALLED

LID SECTIONS LIFT WITH 4 SINK-ITS

VAULT SECTIONS LIFT WITH (4) 1 1/2" COIL BOLTS



PLAN VIEW

24"W X 24"L I.D. X 12" TALL PRECAST CONCRETE COLLAR WITH AHS 24"X24" ALUMINUM TRAFFIC RATED HATCH CAST IN

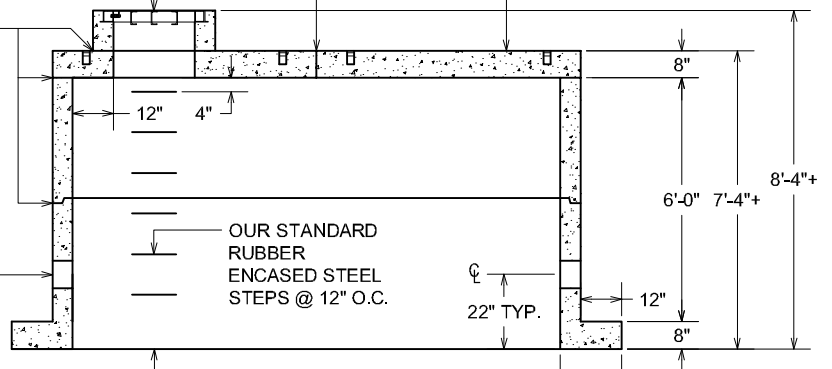
CONSEAL JOINT SEALANT

8" DIAMETER PIPING BLOCKOUTS 10" OFF THE TOP OF THE FOOTING TO THE BOTTOM OF THE BLOCKOUTS,
 OPTIONAL: PRESS-IN GASKET FOR 2", 3" OR 4" PIPE CAN BE INSTALLED

BOTTOM OF VAULT PROVIDED OPEN, WITHOUT FLOOR

TOP OF JOINT PROVIDED WITH 6" WIDE X 12' LONG PIECE OF CS-212 CONWRAP FOR CONTRACTOR TO INSTALL AFTER LID SECTIONS ARE SET IN PLACE

TWO-SECTION LID PROVIDED WITH SINK-ITS FOR LIFTING



SECTION VIEW

18" PRECAST FOOTING AROUND BOTTOM OF VAULT PERIMETER

NOTES:

- CONCRETE: 5000 P.S.I. MINIMUM
- REINFORCING: GRADE 60 MINIMUM
- SUITABLE FOR AASHTO HS-20-44 LOADINGS

WEIGHTS:

- HEAVIEST PIECE WEIGHS APPX. 18,000 LBS.

ACTUAL DIMENSIONS OF CONCRETE PRODUCTS MAY VARY SLIGHTLY



DRAWING NOT TO SCALE

WATER METER VAULT, 8X12 HATCH, 2WG
 DATE CREATED: 12/07
 UPDATED: -----

12650 Tucson Street • Henderson, Colorado 80640 • 303-659-3747, Fax 303-659-1333
 2671 South Greeley Hwy • Cheyenne, Wyoming 82007 • 307-634-0695, Fax 307-634-0694
 10021 Amarillo Blvd East • Amarillo, Texas 79108 • 806-374-3747, Fax 806-335-3717