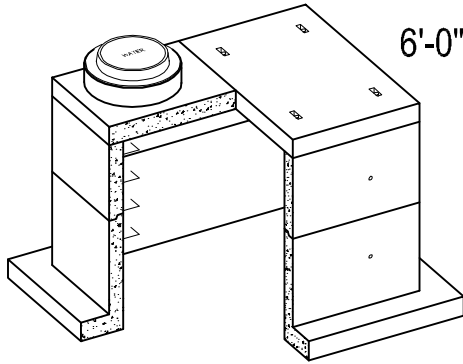


PRECAST CONCRETE

WATER METER VAULT

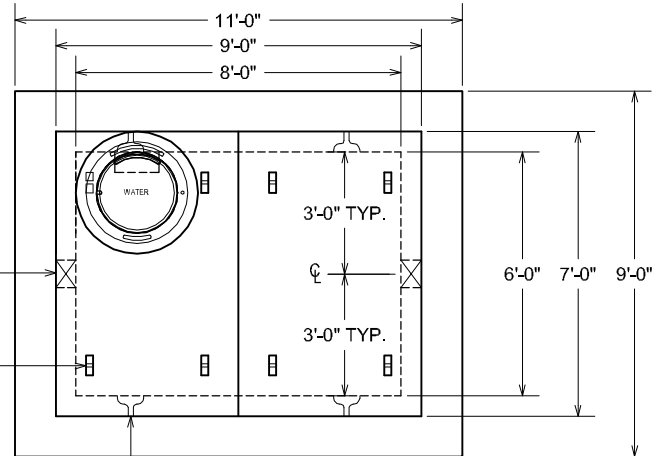
6'-0" WIDE X 8'-0" LONG X 6'-8" HIGH INSIDE DIMENSIONS
 VCP ITEM #608066 WMV WITH FOOTING
 WITH RING & COVER



8" DIAMETER PIPING BLOCKOUTS 10" OFF THE TOP OF THE FOOTING TO THE BOTTOM OF THE BLOCKOUTS, OPTIONAL: PRESS-IN GASKET FOR 2", 3" OR 4" PIPE CAN BE INSTALLED

LID SECTIONS LIFT WITH SINK-ITS

VAULT SECTIONS LIFT WITH (4) 1 1/2" COIL BOLTS



PLAN VIEW

OUR STANDARD 24" DIAMETER CAST IRON RING & WATER METER COVER WITH HOLE & RECESS, OR OUR STANDARD 24" DIAMETER ALUMINUM RING & COVER

TOP OF JOINT PROVIDED WITH 6" WIDE X 10" LONG PIECE OF CS-212 CONWRAP FOR CONTRACTOR TO INSTALL AFTER LID SECTIONS ARE SET IN PLACE

24" I.D. X 8" TALL MANHOLE RISER

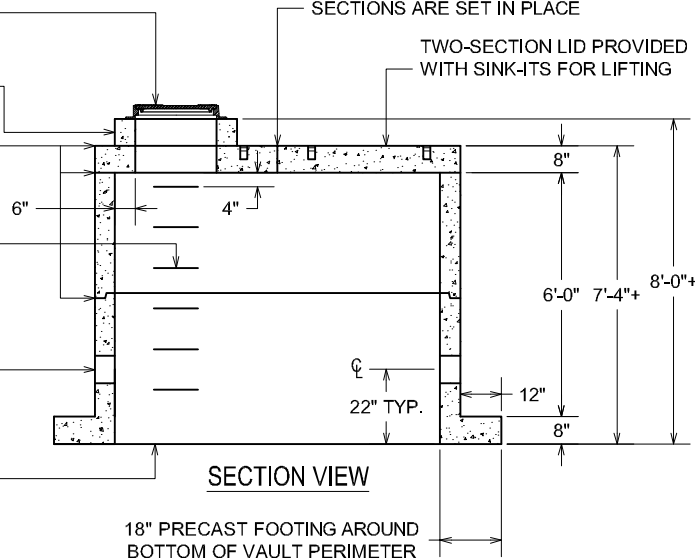
TWO-SECTION LID PROVIDED WITH SINK-ITS FOR LIFTING

CONSEAL JOINT SEALANT

OUR STANDARD RUBBER ENCASED STEEL STEPS @ 12" O.C.

8" DIAMETER PIPING BLOCKOUTS 10" OFF THE TOP OF THE FOOTING TO THE BOTTOM OF THE BLOCKOUTS, OPTIONAL: PRESS-IN GASKET FOR 2", 3" OR 4" PIPE CAN BE INSTALLED

BOTTOM OF VAULT PROVIDED OPEN, WITHOUT FLOOR



SECTION VIEW

18" PRECAST FOOTING AROUND BOTTOM OF VAULT PERIMETER

NOTES:

- CONCRETE: 5000 P.S.I. MINIMUM
- REINFORCING: GRADE 60 MINIMUM
- SUITABLE FOR AASHTO HS-20-44 LOADINGS

WEIGHTS:

- HEAVIEST PIECE WEIGHS APPX. 12,000 LBS.

ACTUAL DIMENSIONS OF CONCRETE PRODUCTS MAY VARY SLIGHTLY

DRAWING NOT TO SCALE



WATER METER VAULT, 6X8 RING & COVER, 2/16
 DATE CREATED: 12/07
 UPDATED: -----

12650 Tucson Street • Henderson, Colorado 80640 • 303-659-3747, Fax 303-659-1333
 2671 South Greeley Hwy • Cheyenne, Wyoming 82007 • 307-634-0695, Fax 307-634-0694
 10021 Amarillo Blvd East • Amarillo, Texas 79108 • 806-374-3747, Fax 806-335-3717