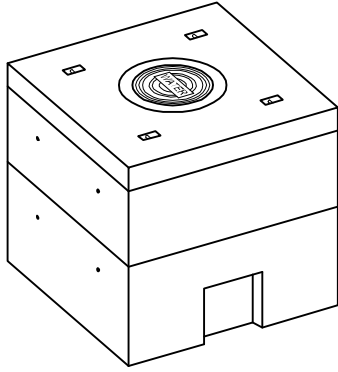


PRECAST CONCRETE

# WATER METER VAULT

CITY OF LUBBOCK STANDARD WATER METER VAULT  
 5'-0" WIDE X 5'-0" LONG X 5'-0" HIGH INSIDE DIMENSIONS  
 WITH 2-PIECE BODY WITH KNOCKOUTS, WITH REMOVABLE LID

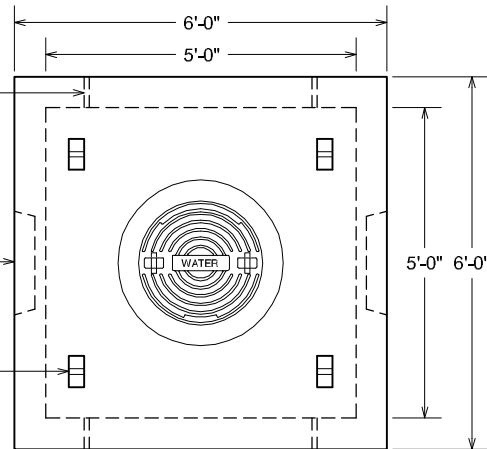
VCP ITEM #505050NF 2-PC.



1" COIL LIFTING INSERTS CAST IN TO ALLOW THE VAULT TO BE LIFTED FROM BOTH THE INSIDE & OUTSIDE, TYP. OF 8 (4 IN EACH RISER SECTION)

18"x18"x4" DEEP KNOCKOUTS AT BOTTOM OF VAULT, TYP. OF 2

LID TO LIFT WITH 4 RECESSED REBAR LIFT LOOPS



PLAN VIEW

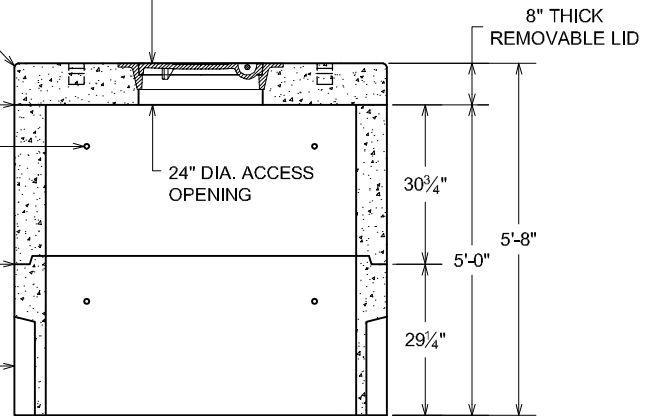
OUR STANDARD 24" DIAMETER CAST IRON RING & COVER CAST IN

ENTIRE TOP PERIMETER EDGE ROUNDED WITH CONCRETE EDGER

CONSEAL JOINT SEALANT  
 1" COIL LIFTING INSERTS CAST IN TO ALLOW THE VAULT TO BE LIFTED FROM BOTH THE INSIDE & OUTSIDE, TYP. OF 8 (4 IN EACH RISER SECTION)

CONSEAL JOINT SEALANT

18"x18"x4" DEEP KNOCKOUTS AT BOTTOM OF VAULT, TYP. OF 2



SECTION VIEW

**NOTES:**

- CONCRETE: 4000 P.S.I. MINIMUM
- REINFORCING: GRADE 60 MINIMUM
- SUITABLE FOR AASHTO HS-20-44 LOADINGS

**WEIGHTS:**

- VAULT RISER SECTIONS EACH WEIGH APPX. 4,150 LBS.
- LID WEIGHS APPX. 3,600 LBS.

ACTUAL DIMENSIONS OF CONCRETE PRODUCTS MAY VARY SLIGHTLY

DRAWING NOT TO SCALE

LUBBOCK METER VAULT-505050NF 2-PC.DWG  
 DATE CREATED: 11/29/07  
 UPDATED: -----



12650 Tucson Street • Henderson, Colorado 80640 • 303-659-3747, Fax 303-659-1333  
 2671 South Greeley Hwy • Cheyenne, Wyoming 82007 • 307-634-0695, Fax 307-634-0694  
 10021 Amarillo Blvd East • Amarillo, Texas 79108 • 806-374-3747, Fax 806-335-3717