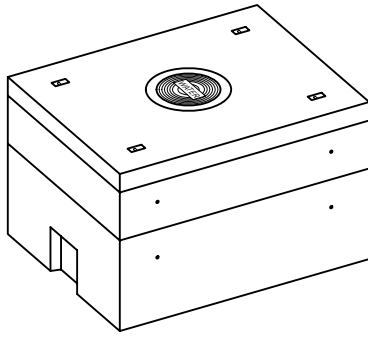


PRECAST CONCRETE

WATER METER VAULT

CITY OF LUBBOCK STANDARD WATER METER VAULT
6'-0" WIDE X 8'-0" LONG X 5'-0" HIGH INSIDE DIMENSIONS
WITH 2-PIECE BODY WITH KNOCKOUTS, WITH REMOVABLE LID

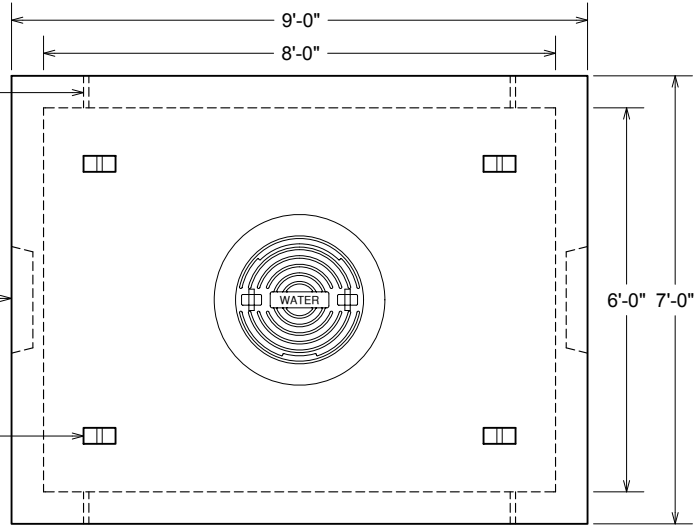
VCP ITEM #608050NF 2-PC.



1" COIL LIFTING INSERTS CAST IN TO ALLOW THE VAULT TO BE LIFTED FROM BOTH THE INSIDE & OUTSIDE, TYP. OF 8 (4 IN EACH RISER SECTION)

18"x18"x4" DEEP KNOCKOUTS AT BOTTOM OF VAULT, TYP. OF 2

LID TO LIFT WITH 4 RECESSED REBAR LIFT LOOPS



PLAN VIEW

OUR STANDARD 24" DIAMETER CAST IRON RING & COVER CAST IN

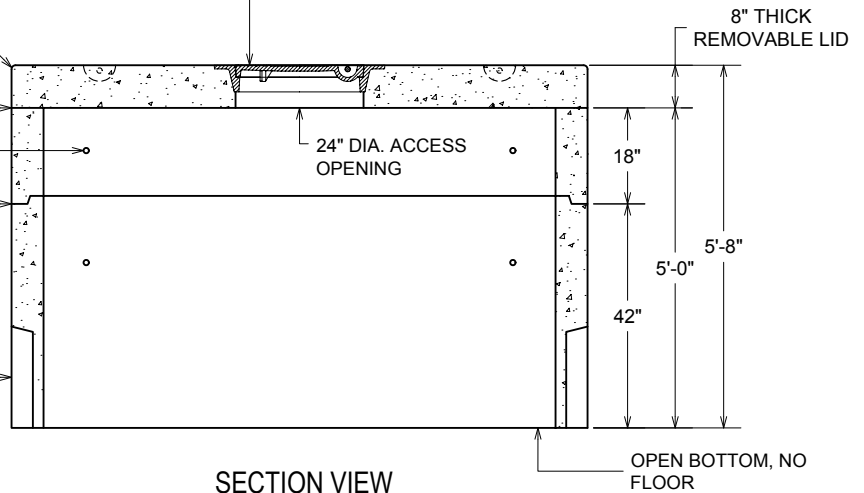
ENTIRE TOP PERIMETER EDGE ROUNDED WITH CONCRETE EDGER

JOINT SEALANT

1" COIL LIFTING INSERTS CAST IN TO ALLOW THE VAULT TO BE LIFTED FROM BOTH THE INSIDE & OUTSIDE, TYP. OF 8 (4 IN EACH RISER SECTION)

JOINT SEALANT

18"x18"x4" DEEP KNOCKOUTS AT BOTTOM OF VAULT, TYP. OF 2



SECTION VIEW

NOTES:

- CONCRETE: 4000 P.S.I. MINIMUM
- REINFORCING: GRADE 60 MINIMUM
- SUITABLE FOR AASHTO HS-20-44 LOADINGS

WEIGHTS:

- BOTTOM VAULT RISER SECTION WEIGHS APPX. 7,800 LBS.
- TOP VAULT RISER SECTION WEIGHS APPX. 2,700 LBS.
- LID WEIGHS APPX. 6,300 LBS.

ACTUAL DIMENSIONS OF CONCRETE PRODUCTS MAY VARY SLIGHTLY

DRAWING NOT TO SCALE

vaughn concrete products, inc.

LUBBOCK METER VAULT-608050NF 2-PC.DWG
DATE CREATED: 10/10
UPDATED: -----

12650 Tucson Street • Henderson, Colorado 80640 • 303-659-3747, Fax 303-659-1333
 2671 South Greeley Hwy • Cheyenne, Wyoming 82007 • 307-634-0695, Fax 307-634-0694
 10021 Amarillo Blvd East • Amarillo, Texas 79108 • 806-374-3747, Fax 806-335-3717

www.vaughnconcreteproducts.com