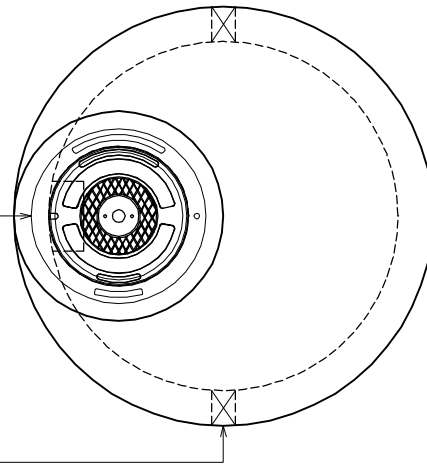


# PRECAST CONCRETE WATER METER PIT

60" INSIDE DIAMETER  
VCP ITEM #5040 ROUND METER PIT

MANUFACTURED TO ASTM C-478  
FOR AASHTO HS-20-44 LOADINGS\*\*

SEE RING & COVER OPTIONS FOR  
AVAILABLE RINGS & COVERS



4" WIDE X 12" TALL NOTCHES, TYP. OF 2 STRAIGHT  
THRU, ORIENTED 90° FROM THE STEPS

PLAN VIEW

**RING & COVER OPTIONS:**

1. 24" DIAMETER ALUMINUM RING & WATER COVER WITH 1.75" HOLE & RECESS, 4 1/2" TALL (THIS OPTION TO BE USED FOR CHEYENNE BOARD OF PUBLIC UTILITIES METER PITS)
2. 24" DIAMETER CAST IRON RING & WATER COVER WITH 1.75" HOLE & RECESS, 4" TALL
3. 24" DIAMETER ALUMINUM FROST PROOF RING & COVER
4. 30" DIAMETER ALUMINUM FROST PROOF RING & COVER WITH 26" DIAMETER CLEAR OPENING

SEE RING & COVER OPTIONS FOR  
AVAILABLE RINGS & COVERS

METER PIT IS TRADITIONALLY SUPPLIED WITH A 6"  
TALL MANHOLE RISER;  
OPTIONAL 24" I.D. MANHOLE RISERS AS REQUIRED  
FOR ADJUSTMENT;  
AVAILABLE IN 2", 3", 4" OR 6" HEIGHTS

CONSEAL JOINT SEALANT

OUR STANDARD RUBBER ENCASED  
STEEL STEPS @ 12" O.C.

CONSEAL JOINT SEALANT  
60" TRAFFIC LID  
(FLAT TOP)

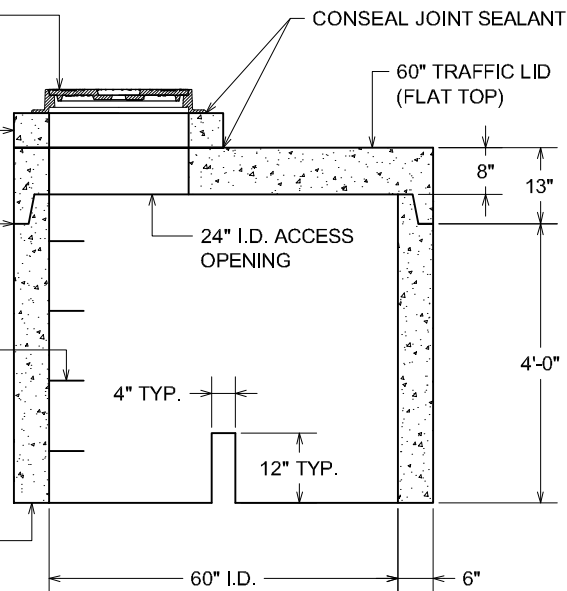
**WEIGHTS:**

- LID : ~3,000 LBS.
- BARREL : ~5,200 LBS.
- COMPLETE METER PIT : ~8,800 LBS.

**NOTES:**

- CONCRETE: 4,000 P.S.I. (MINIMUM)
- REINFORCING: REBAR & WELDED WIRE FABRIC
- \*\* SUITABLE FOR AASHTO HS-20-44 LOADINGS WHEN PLACED ON MATERIAL CAPABLE OF SUPPORTING THE LOADINGS

BOTTOM PROVIDED  
OPEN & FLAT ON  
BOTTOM



SECTION VIEW

ACTUAL DIMENSIONS OF CONCRETE PRODUCTS MAY VARY SLIGHTLY

DRAWING IS NOT TO SCALE

**Vaughn  
concrete products, inc.**

WATER METER PIT, 60 INCH DIA  
DATE CREATED: 12/08  
UPDATED: -----

12650 Tucson Street • Henderson, Colorado 80640 • 303-659-3747, Fax 303-659-1333  
2671 South Greeley Hwy • Cheyenne, Wyoming 82007 • 307-634-0695, Fax 307-634-0694  
10021 Amarillo Blvd East • Amarillo, Texas 79108 • 806-374-3747, Fax 806-335-3717