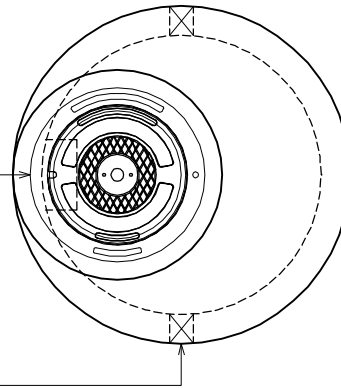


PRECAST CONCRETE WATER METER PIT

48" INSIDE DIAMETER
VCP ITEM #4040 ROUND METER PIT

MANUFACTURED TO ASTM C-478
FOR AASHTO HS-20-44 LOADINGS**

SEE RING & COVER OPTIONS FOR
AVAILABLE RINGS & COVERS



4" WIDE X 12" TALL NOTCHES, TYP. OF 2 STRAIGHT
THRU, ORIENTED 90° FROM THE STEPS

RING & COVER OPTIONS:

1. 24" DIAMETER ALUMINUM RING & WATER COVER WITH 1.75" HOLE & RECESS, 4 1/2" TALL (THIS OPTION TO BE USED FOR CHEYENNE BOARD OF PUBLIC UTILITIES METER PITS)
2. 24" DIAMETER CAST IRON RING & WATER COVER WITH 1.75" HOLE & RECESS, 4" TALL
3. 24" DIAMETER ALUMINUM FROST PROOF RING & COVER
4. 30" DIAMETER ALUMINUM FROST PROOF RING & COVER WITH 26" DIAMETER CLEAR OPENING

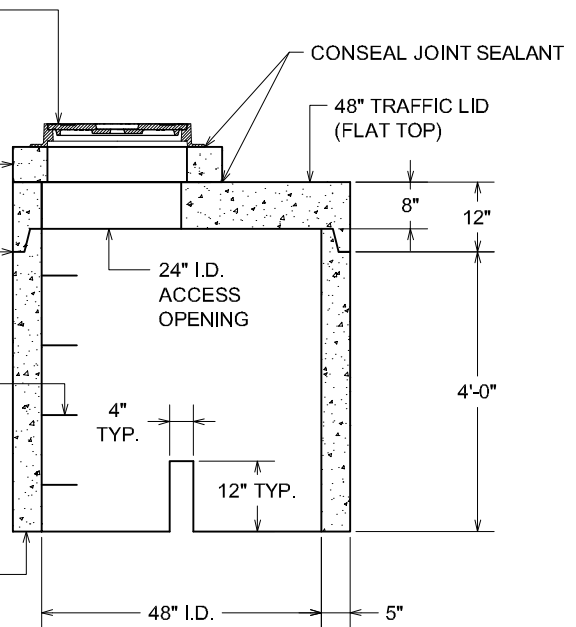
PLAN VIEW

SEE RING & COVER OPTIONS FOR
AVAILABLE RINGS & COVERS

METER PIT IS TRADITIONALLY SUPPLIED WITH A 6"
TALL MANHOLE RISER;
OPTIONAL 24" I.D. MANHOLE RISERS AS REQUIRED
FOR ADJUSTMENT;
AVAILABLE IN 2", 3", 4" OR 6" HEIGHTS

CONSEAL JOINT SEALANT

OUR STANDARD RUBBER ENCASED
STEEL STEPS @ 12" O.C.



WEIGHTS:

- LID : ~2,800 LBS.
- BARREL : ~3,600 LBS.
- COMPLETE METER PIT : ~7,000 LBS.

NOTES:

- CONCRETE: 4,000 P.S.I. (MINIMUM)
- REINFORCING: REBAR & WELDED WIRE FABRIC
- ** SUITABLE FOR AASHTO HS-20-44 LOADINGS WHEN PLACED ON MATERIAL CAPABLE OF SUPPORTING THE LOADINGS

BOTTOM PROVIDED
OPEN & FLAT ON
BOTTOM

SECTION VIEW

ACTUAL DIMENSIONS OF CONCRETE PRODUCTS MAY VARY SLIGHTLY

DRAWING IS NOT TO SCALE

Vaughn concrete products, inc.

WATER METER PIT, 48 INCH DIA
DATE CREATED: 12/08
UPDATE: -----

12650 Tucson Street • Henderson, Colorado 80640 • 303-659-3747, Fax 303-659-1333
2671 South Greeley Hwy • Cheyenne, Wyoming 82007 • 307-634-0695, Fax 307-634-0694
10021 Amarillo Blvd East • Amarillo, Texas 79108 • 806-374-3747, Fax 806-335-3717