

PRECAST CONCRETE WATER CISTERN

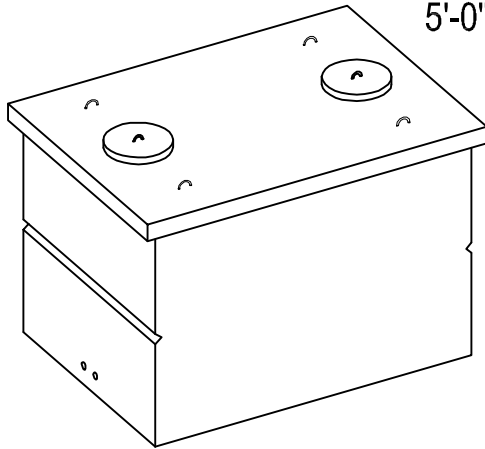
1400 GALLON CAPACITY

5'-0" WIDE X 7'-2" LONG X 5'-1" HIGH INSIDE DIMENSIONS

NOT SUITABLE FOR TRAFFIC AREAS

MONOLITHIC BODY WITH 4" WALLS

TANK SUITABLE FOR UP TO 6' OF BURY



2" RIGID GALVANIZED STEEL (RGS) THREADED COUPLINGS CAST IN, 1" OFF INSIDE FLOOR, 6" CENTER-TO-CENTER SEPARATION CENTERED IN WIDTH OF WALL, TYP. OF 2 (COUPLINGS ARE FEMALE ON INSIDE & OUTSIDE OF TANK)

LID TO LIFT WITH 4 REBAR LIFT LOOPS, THE TANK BODY TO BE SUPPLIED WITH LIFT NOTCHES

DIGGING SPECIFICATIONS:

- EXCAVATION: 7' WIDE X 10' LONG
- SEE OUR *INSTALLATION GUIDELINES* PRIOR TO INSTALLING THIS TANK

VCP DOES NOT RECOMMEND SEALING THE LID OR ACCESS LIDS ONTO THE TANK AS IT IS VERY DIFFICULT TO GET THEM OFF; IF SEALANT IS USED, POTABLE WATER SEALANT MUST BE USED, POTABLE WATER SEALANT MUST BE ORDERED PRIOR TO DELIVERY; INSTALLER WILL NORMALLY MORTAR OR CAULK THE LIDS ONCE THE TANK IS SET IN PLACE

WEIGHTS:

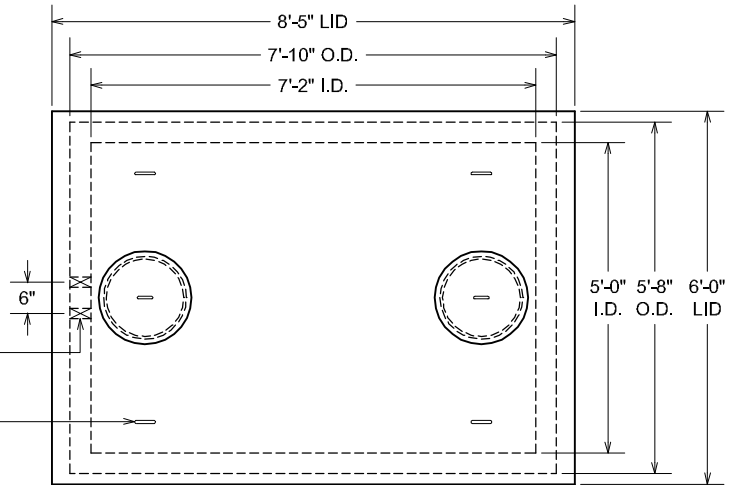
- TANK BODY WEIGHS APPX. 8,000 LBS.
- TANK LID WEIGHS APPX. 2,800 LBS.

2" RIGID GALVANIZED STEEL (RGS) THREADED COUPLINGS CAST IN, 1" OFF INSIDE FLOOR, 6" CENTER-TO-CENTER SEPARATION CENTERED IN WIDTH OF WALL, TYP. OF 2 (COUPLINGS ARE FEMALE ON INSIDE & OUTSIDE OF TANK)

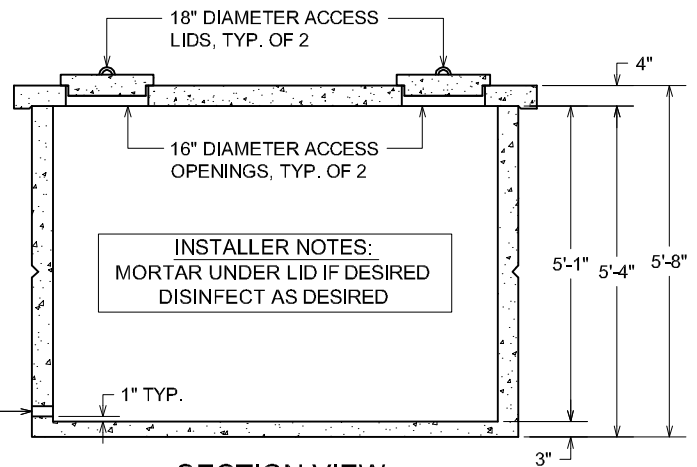
NOTES:

- CONCRETE: 4000 P.S.I. MINIMUM
- REINFORCING: GRADE 60 MINIMUM
- NOT SUITABLE FOR TRAFFIC LOADINGS

ACTUAL DIMENSIONS OF CONCRETE PRODUCTS MAY VARY SLIGHTLY



PLAN VIEW



SECTION VIEW

IT IS THE EXCAVATOR'S OR INSTALLER'S RESPONSIBILITY TO REQUEST OUR *INSTALLATION GUIDELINES* PRIOR TO INSTALLING THIS TANK



DRAWING NOT TO SCALE

WATER CISTERN.DWG
DATE CREATED: 12 / 07
UPDATED: 12 / 08

12650 Tucson Street • Henderson, Colorado 80640 • 303-659-3747, Fax 303-659-1333
2671 South Greeley Hwy • Cheyenne, Wyoming 82007 • 307-634-0695, Fax 307-634-0694
10021 Amarillo Blvd East • Amarillo, Texas 79108 • 806-374-3747, Fax 806-335-3717