

PRECAST CONCRETE

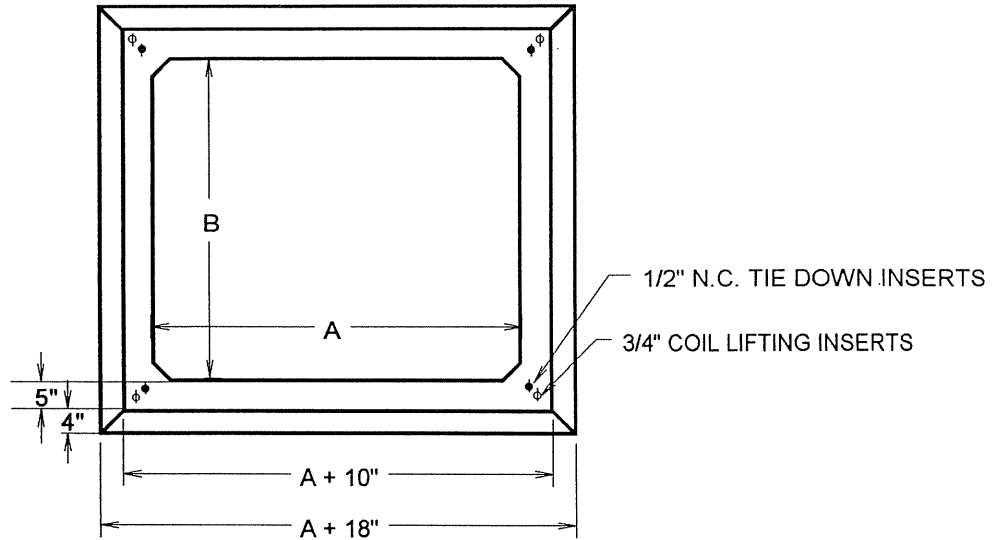
# SWITCH CABINET FOUNDATION

TWO SIZES AVAILABLE

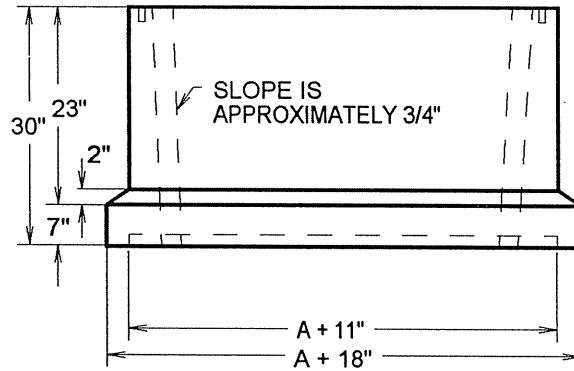
VCP - 2406

VCP - 2407

## TOP VIEW



## SECTION VIEW



DIMENSIONS		
	2406	2407
A	53"	69"
B	61 1/2"	76 1/2"

WEIGHTS:  
 2406 - 4,000 LBS.  
 2407 - 4,600 LBS.

CONCRETE - 4,000 P.S.I. (MINIMUM)  
 REINFORCING - GRADE 60 MINIMUM

ACTUAL DIMENSIONS OF CONCRETE PRODUCTS MAY VARY SLIGHTLY  
 DRAWING IS NOT TO SCALE

**vaughn**  
**concrete products, inc.**

11/97

12650 Tucson Street • Henderson, Colorado 80640 • 303-659-3747, Fax 303-659-1333  
 2671 So. Greeley Hwy • Cheyenne, Wyoming 82007 • 307-634-0695, Fax 307-634-0694  
 10021 Amarillo Blvd. East • Amarillo, Texas 79107 • 806-374-3747, Fax 806-335-3717