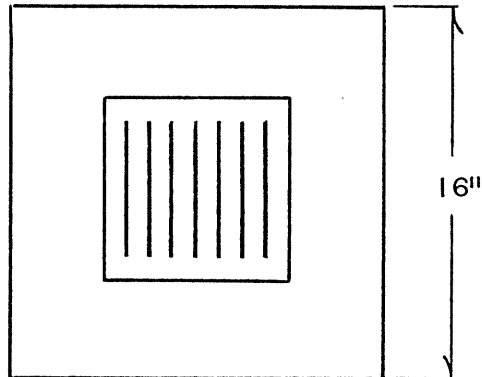
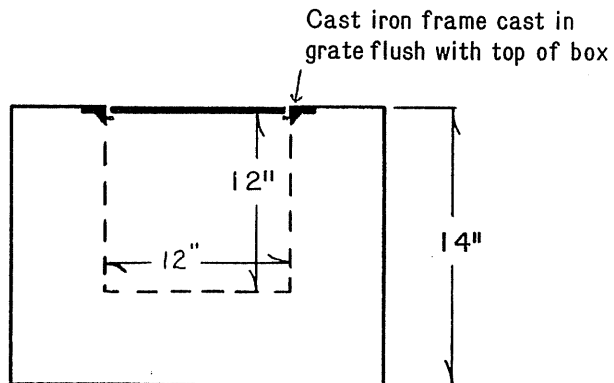


Precast Concrete  
**SUMP BOX**

TOP VIEW



TYPICAL SECTION



Weight approximately 185 lbs.

Can be used in precast vaults  
by placing blockout in vault floor

Also used for cast-in-place applications

Concrete 4000 P.S.I. Minimum  
Reinforced with Wire Mesh

Actual dimensions of concrete products vary slightly

**vaughn**  
**concrete products, inc.**

UPDATED 11/97

12650 Tucson Street • Henderson, Colorado 80640 • 303-659-3747, Fax 303-659-1333  
2671 So. Greeley Hwy • Cheyenne, Wyoming 82007 • 307-634-0695, Fax 307-634-0694  
10021 Amarillo Blvd. East • Amarillo, Texas 79107 • 806-374-3747, Fax 806-335-3717