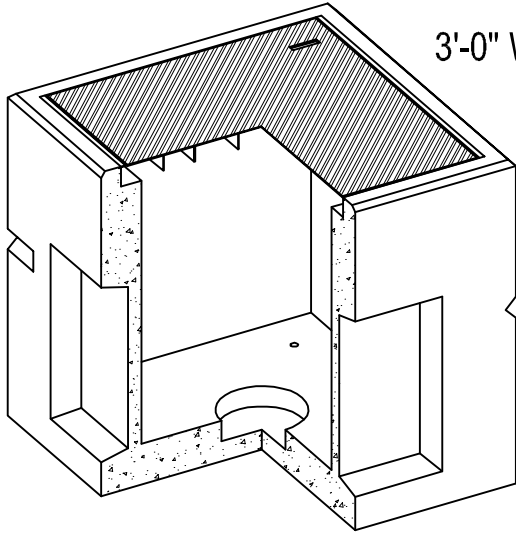


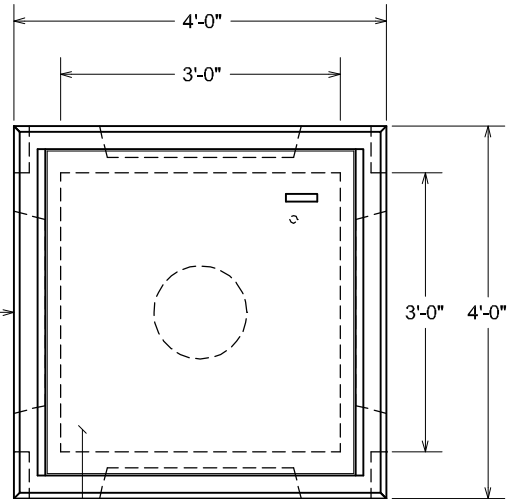
# PRECAST CONCRETE SPLICE BOX

3'-0" WIDE X 3'-0" LONG X 3'-6" HIGH INSIDE DIMENSIONS

VCP ITEM #SB303035



24"x24"x4" DEEP CONDUIT  
KNOCKOUTS AT FLOOR LEVEL,  
CENTERED IN WIDTH OF EACH  
WALL, TYP. OF 4



PLAN VIEW

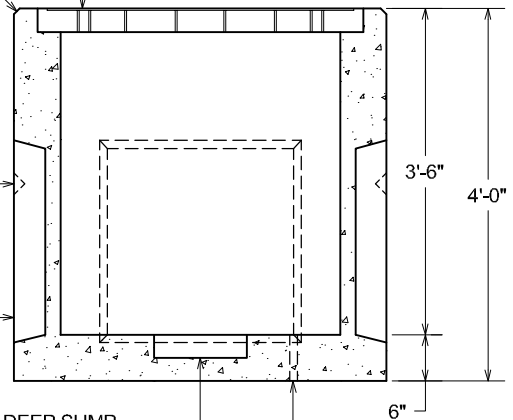
GALVANIZED STEEL FRAME WITH HINGED  $\frac{1}{4}$ " STEEL  
DIAMOND PLATE COVER WITH DROP HANDLE SUITABLE  
FOR OCCASIONAL H-20 LOADINGS  
(NOT DESIGNED FOR HIGH DENSITY TRAFFIC)  
SPRING ASSISTED COVER WITH STAND, COVER BOLTS  
CLOSED WITH TWO  $\frac{1}{2}$ " BOLTS

ENTIRE TOP PERIMETER  
EDGE IS CHAMFERED

PROVIDED WITH LIFT NOTCHES  
FOR HANDLING, TYP. OF 4

SECTION VIEW

24"x24"x4" DEEP CONDUIT  
KNOCKOUTS AT FLOOR LEVEL,  
CENTERED IN WIDTH OF EACH  
WALL, TYP. OF 4



12" DIAMETER X 3" DEEP SUMP  
RECESS IN CENTER OF FLOOR

1" PVC SLEEVE CAST IN FOR GROUND ROD,  
6" OFF EACH INSIDE WALL OF VAULT

NOTES:

- CONCRETE: 4000 P.S.I. MINIMUM
- REINFORCING: GRADE 60 MINIMUM
- WALLS & FLOOR TO BE 6" THICK
- SUITABLE FOR OCCASIONAL AASHTO HS-20-44 LOADINGS  
WHEN PLACED ON MATERIAL CAPABLE OF SUPPORTING  
THE LOADINGS

UNIT WEIGHS APPROXIMATELY 3,700 LBS.

ACTUAL DIMENSIONS OF CONCRETE PRODUCTS MAY VARY SLIGHTLY

DRAWING NOT TO SCALE

3X3X3-6 SPLICE BOX.DWG  
DATE CREATED: 11/ 04  
UPDATED: 11/ 08

# vaughn concrete products, inc.

12650 Tucson Street • Henderson, Colorado 80640 • 303-659-3747, Fax 303-659-1333  
2671 South Greeley Hwy • Cheyenne, Wyoming 82007 • 307-634-0695, Fax 307-634-0694  
10021 Amarillo Blvd East • Amarillo, Texas 79108 • 806-374-3747, Fax 806-335-3717