

PRECAST CONCRETE

#66 PULLBOX

16½" WIDE X 29½" LONG INSIDE DIMENSIONS X 12" TALL

CAST IRON COVER

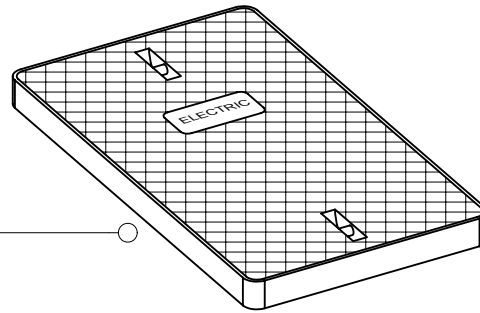
SUITABLE FOR UP TO 14,000 LB. LOADS

MATERIAL: GRAY IRON

ASTM A48 CL35B

SIZE: 17½" x 30⅜" x 2"

WEIGHT: 71 LBS.



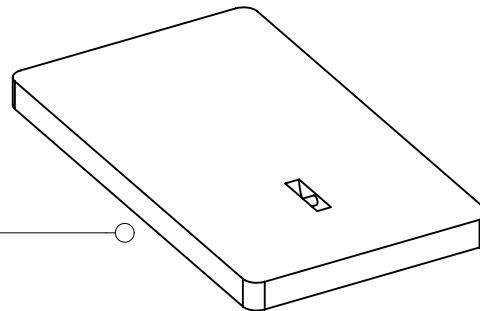
CONCRETE COVER

NOT SUITABLE FOR TRAFFIC LOADINGS

MATERIAL: CONCRETE

SIZE: 17½" x 30½" x 2"

WEIGHT: 97 LBS.

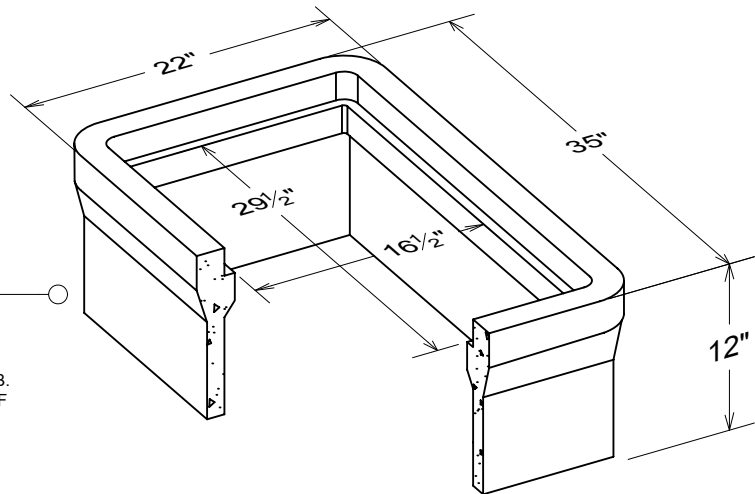


PULLBOX BODY

MATERIAL: CONCRETE

WEIGHT: 142 LBS.

PULLBOX BODY IS SUITABLE FOR UP TO 14,000 LB. LOADS WHEN PLACED ON MATERIAL CAPABLE OF SUPPORTING 14,000 LB. LOADS



NOTES:

- CONCRETE: 4000 P.S.I. MINIMUM
- REINFORCING: GRADE 60 MINIMUM

ACTUAL DIMENSIONS OF CONCRETE PRODUCTS MAY VARY SLIGHTLY

vaughn
concrete products, inc.

DRAWING NOT TO SCALE

NO. 66 PULLBOX.DWG
DATE CREATED: 10/10
UPDATED: 12/10

12650 Tucson Street • Henderson, Colorado 80640 • 303-659-3747, Fax 303-659-1333
2671 South Greeley Hwy • Cheyenne, Wyoming 82007 • 307-634-0695, Fax 307-634-0694
10021 Amarillo Blvd East • Amarillo, Texas 79108 • 806-374-3747, Fax 806-335-3717

www.vaughnconcreteproducts.com