

PRECAST CONCRETE

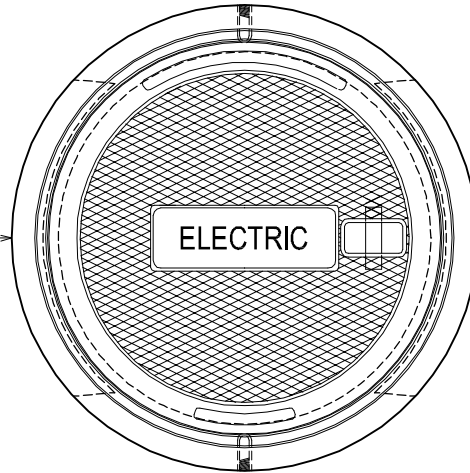
ROUND PULLBOX/HANDHOLE

24" INSIDE DIAMETER

VCP ITEM #2020 ROUND PULLBOX

MANUFACTURED TO ASTM C-478

1½" DEEP RECESSED
KNOCKOUTS 20" DIAMETER AT
FLOOR LEVEL, TYP. OF 2

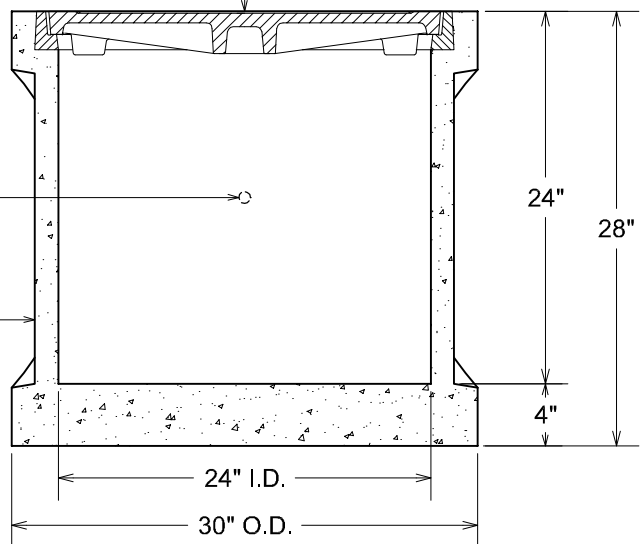


PLAN VIEW

OUR STANDARD CAST IRON RING & COVER CAST IN
(COVER WEIGHS APPX. 115 LBS.)

¾" STANDARD THREAD LIFTING INSERTS
CAST IN, TYP. OF 2

1½" DEEP RECESSED
KNOCKOUTS 20" DIAMETER AT
FLOOR LEVEL, TYP. OF 2



SECTION VIEW

WEIGHTS:

- COMPLETE PULLBOX WEIGHS APPX. 850 LBS.
- COVER WEIGHS APPX. 115 LBS.

NOTES:

- CONCRETE: 4000 P.S.I. MINIMUM
- REINFORCING: GRADE 60 MINIMUM
- SUITABLE FOR OCCASIONAL AASHTO HS-20-44 LOADINGS
WHEN PLACED ON MATERIAL CAPABLE OF SUPPORTING
THE LOADINGS

EXCAVATION TO BE PROPERLY
PREPARED WITH SUITABLE MATERIAL
TO PLACE STRUCTURE ONTO

ACTUAL DIMENSIONS OF CONCRETE PRODUCTS MAY VARY SLIGHTLY

vaughn
concrete products, inc.

DRAWING NOT TO SCALE

PULLBOX-24 DIAMETER.DWG
DATE CREATED: 12/08
UPDATED: -----

12650 Tucson Street • Henderson, Colorado 80640 • 303-659-3747, Fax 303-659-1333
2671 South Greeley Hwy • Cheyenne, Wyoming 82007 • 307-634-0695, Fax 307-634-0694
10021 Amarillo Blvd East • Amarillo, Texas 79108 • 806-374-3747, Fax 806-335-3717