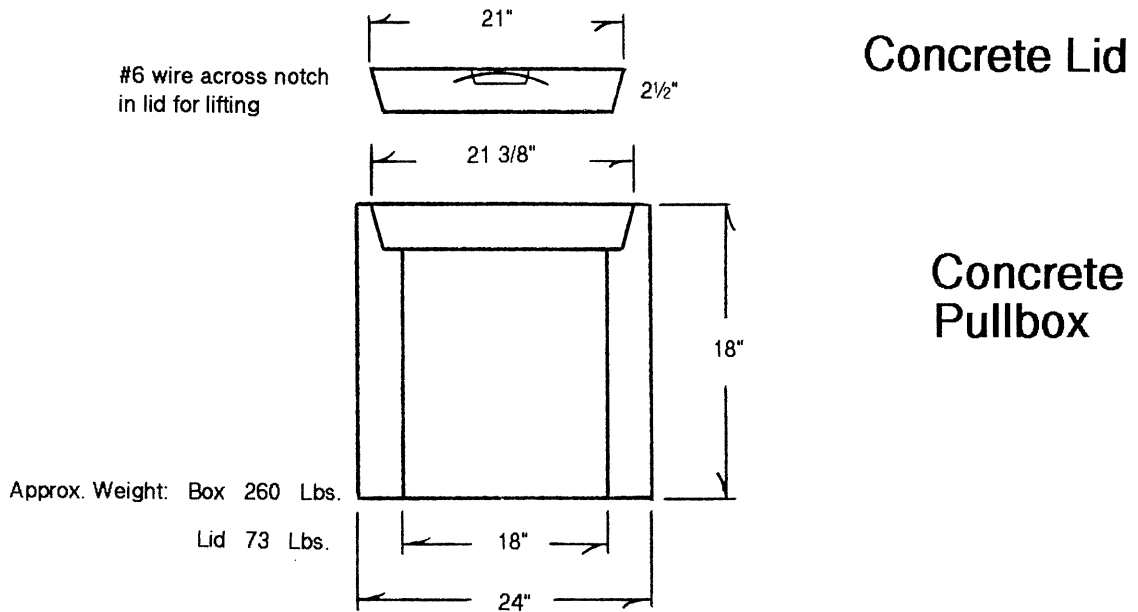


Precast Concrete
ROUND PULLBOX

18" Inside Diameter



Section View Shown

Concrete - 4000 PSI
Reinforcing - 6x6x 6/6 Welded Wire Fabric

Actual dimensions of concrete products may vary slightly.

vaughn
concrete products, inc.

UPDATED 11/97

12650 Tucson Street • Henderson, Colorado 80640 • 303-659-3747, Fax 303-659-1333
2671 So. Greeley Hwy • Cheyenne, Wyoming 82007 • 307-634-0695, Fax 307-634-0694
10021 Amarillo Blvd. East • Amarillo, Texas 79107 • 806-374-3747, Fax 806-335-3717