

PRECAST CONCRETE

PADVULT - SINGLE PHASE

3'-0" WIDE X 3'-0" LONG X 3'-2" TALL INSIDE DIMENSIONS

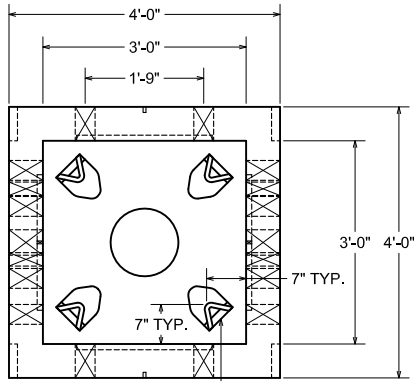
EQUAL TO PACIFICORP ZG 501

VCP ITEM #ZG501 PADVULT

SHEET 1 OF 2

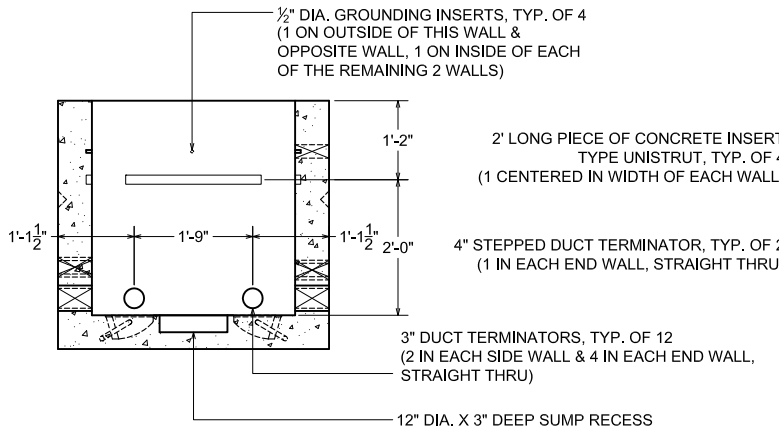
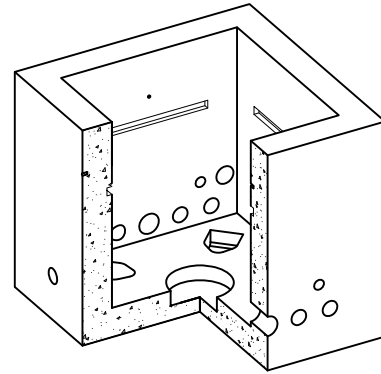
PAD OPTIONS:

- SECTIONALIZER CABINET PAD, SEE SHEET 2
- TRANSFORMER PAD, SEE SHEET 2

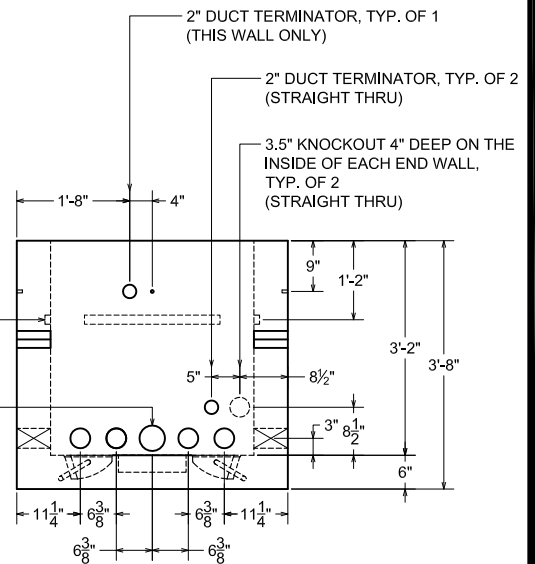


PLAN VIEW

4 POLYPROPYLENE ENCASED STEEL PULLING IRONS WITH POCKETS CAST IN THE FLOOR



SECTION VIEW



END ELEVATION VIEW

WEIGHT:

- VAULT WEIGHS APPX. 4,500 LBS.

LOADINGS:

- VAULT ONLY IS SUITABLE FOR AASHTO HS-20-44 TRAFFIC LOADINGS

NOTES:

- CONCRETE: 5000 P.S.I. MINIMUM
- REINFORCING: GRADE 60 MINIMUM REINFORCED WITH #4 @ 12" O.C.E.W.

ACTUAL DIMENSIONS OF CONCRETE PRODUCTS MAY VARY SLIGHTLY

LIFTING DETAILS:

VAULT TO LIFT WITH:

- (4) LIFT NOTCHES
- (4) PULLING IRONS IN THE FLOOR



DRAWING NOT TO SCALE

3x3 PADVULT.DWG
DATE CREATED: 10/09
UPDATED: 10/10

12650 Tucson Street • Henderson, Colorado 80640 • 303-659-3747, Fax 303-659-1333
2671 South Greeley Hwy • Cheyenne, Wyoming 82007 • 307-634-0695, Fax 307-634-0694
10021 Amarillo Blvd East • Amarillo, Texas 79108 • 806-374-3747, Fax 806-335-3717

www.vaughnconcreteproducts.com

PRECAST CONCRETE

PADVULT - SINGLE PHASE

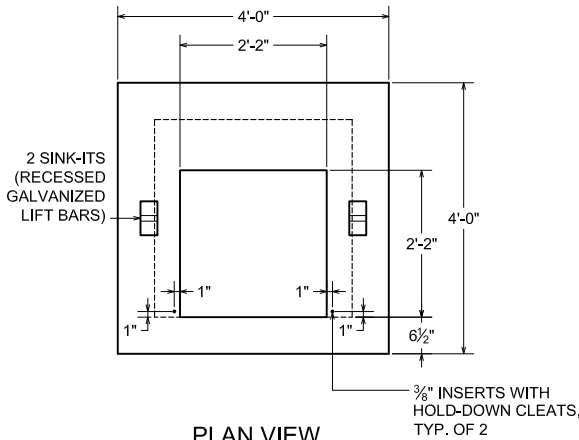
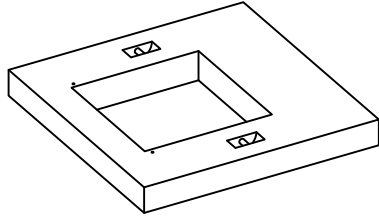
3'-0" WIDE X 3'-0" LONG X 3'-2" TALL INSIDE DIMENSIONS

EQUAL TO PACIFICORP ZG 501

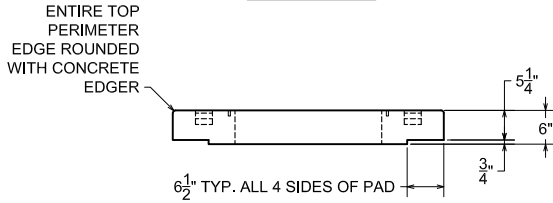
VCP ITEM #ZG501-TRANSFORMER PAD

VCP ITEM #ZG501-SECTIONALIZER PAD

SHEET 2 OF 2



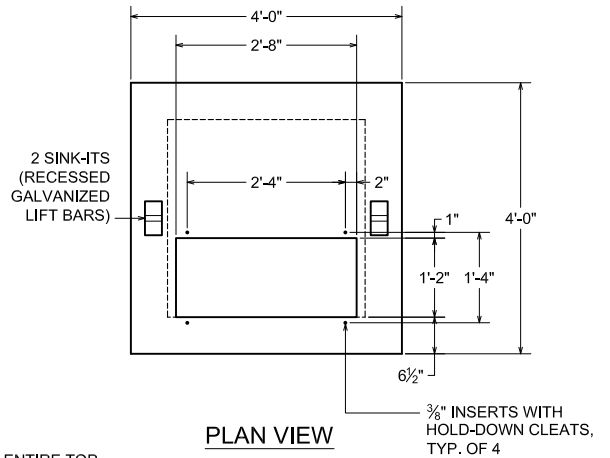
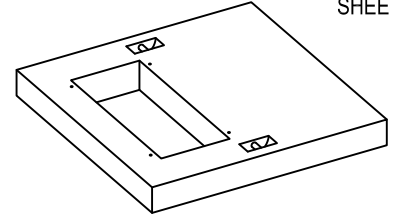
PLAN VIEW



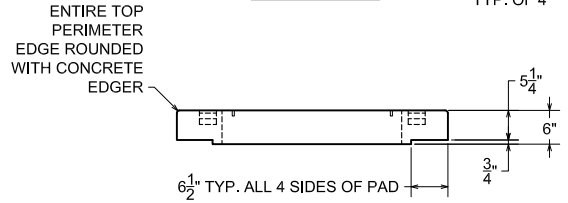
ELEVATION VIEW

TRANSFORMER PAD #ZG501-TRANSFORMER PAD

LIFT WITH 2 SINK-ITS
(RECESSED GALVANIZED LIFT BARS)
WEIGHT: 775 LBS.



PLAN VIEW



ELEVATION VIEW

SECTIONALIZER CABINET PAD #ZG501-SECTIONALIZER PAD

LIFT WITH 2 SINK-ITS
(RECESSED GALVANIZED LIFT BARS)
WEIGHT: 900 LBS.

NOTES:

- CONCRETE: 5000 P.S.I. MINIMUM
- REINFORCING: GRADE 60 MINIMUM REINFORCED WITH #4 @ 12" O.C.E.W.

LOADINGS:

- THESE PADS ARE NOT SUITABLE FOR TRAFFIC LOADINGS, THEY ARE ONLY DESIGNED TO SUPPORT THE WEIGHT OF THE TRANSFORMER OR SECTIONALIZER CABINET

ACTUAL DIMENSIONS OF CONCRETE PRODUCTS MAY VARY SLIGHTLY



DRAWING NOT TO SCALE

3x3 PADVULT.DWG
DATE CREATED: 10/09
UPDATED: 10/10

12650 Tucson Street • Henderson, Colorado 80640 • 303-659-3747, Fax 303-659-1333
 2671 South Greeley Hwy • Cheyenne, Wyoming 82007 • 307-634-0695, Fax 307-634-0694
 10021 Amarillo Blvd East • Amarillo, Texas 79108 • 806-374-3747, Fax 806-335-3717

www.vaughnconcreteproducts.com