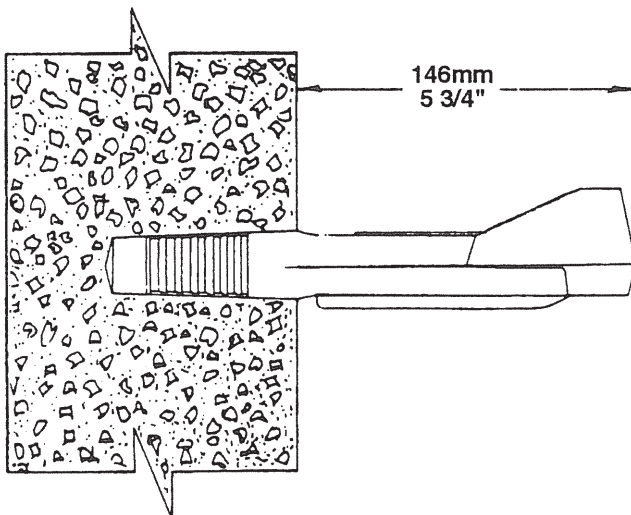
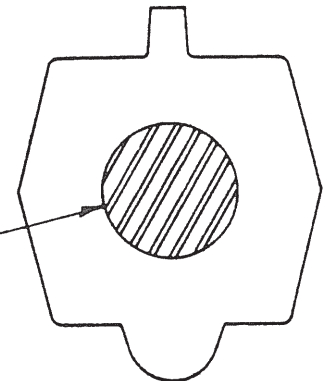


Copolymer Polypropylene Plastic

13mm
1/2" **GRADE 60 STEEL REINFORCEMENT**



**MEETS: ASTM-C-478
ASTM-D-4101
ASTM-A-615
AASHTO-M-199**



M . A . I N D U S T R I E S , I N C .