

EAST JORDAN
IRON WORKS, INC.
P.O. BOX 439
EAST JORDAN, MI. 49727
1-800-874-4100
FAX 231-536-4458

| | |
|----------|----------|
| DRAWN | DATE |
| SBB | 10/25/01 |
| APPROVED | DATE |

2040Z MANHOLE
FRAME

PRODUCT NO.
204011

CATALOG NO.
2040Z

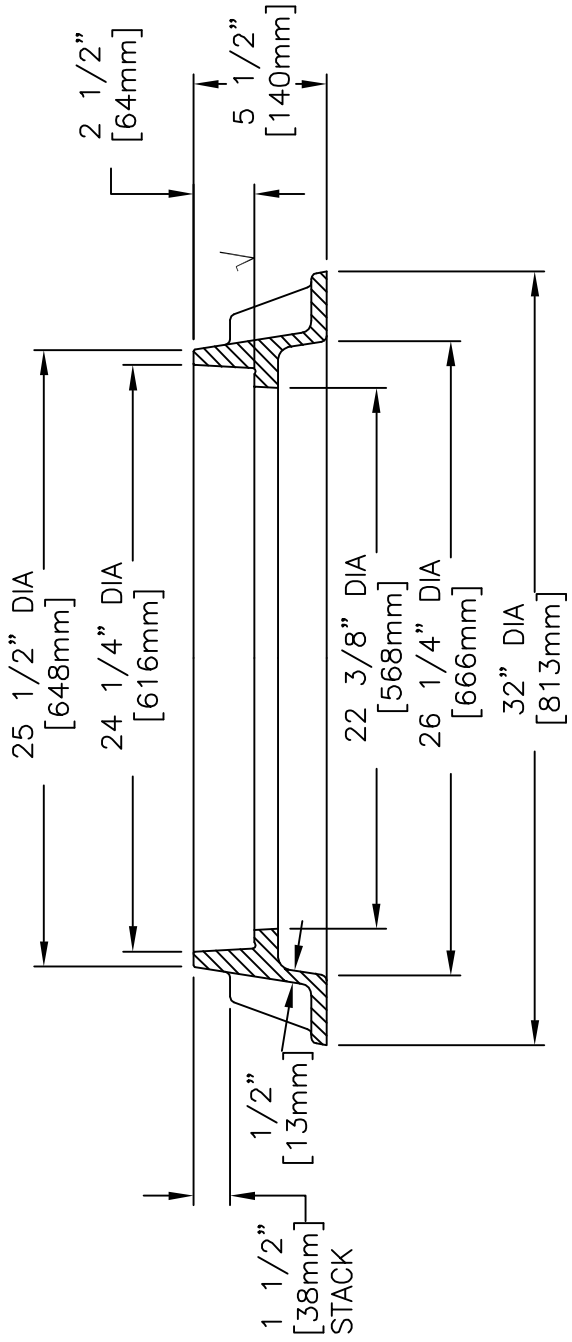
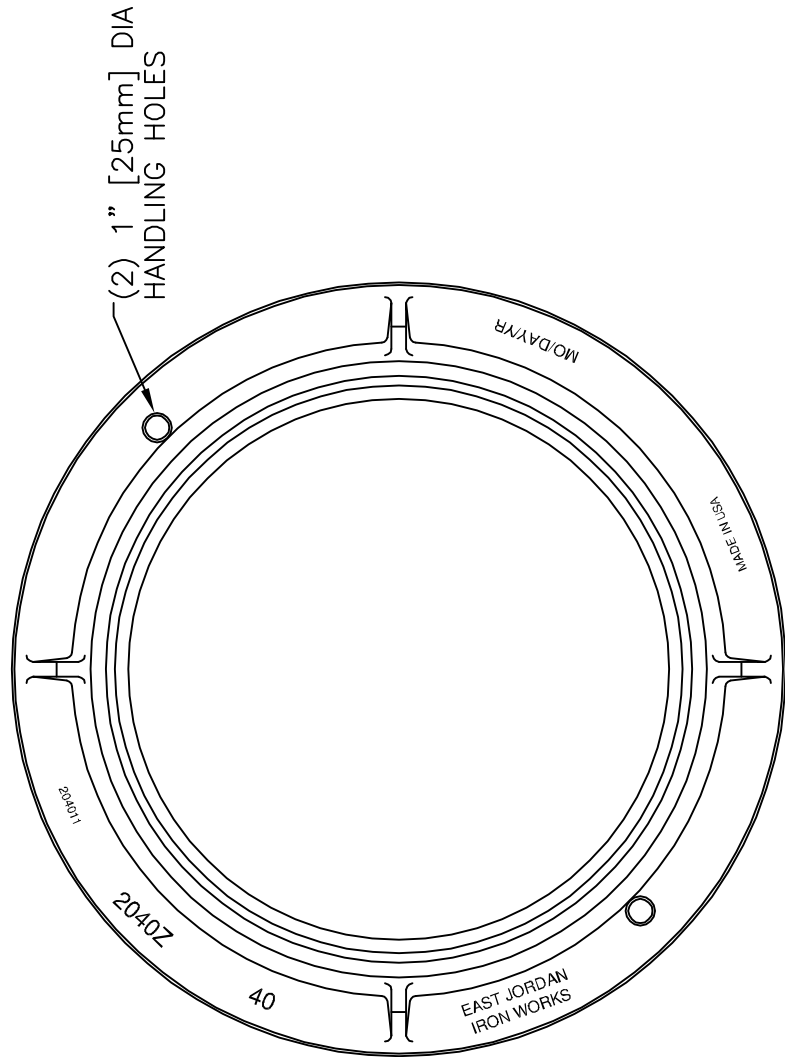
REF. PRODUCT DRAWING
204011

EST. WT.
FRAME: 140 LBS 64kg

OPEN AREA
N/A

MAT'L SPEC.
FRAME - GRAY IRON
ASTM A48 CL35

LOAD RATING
HEAVY DUTY
MEETS OR EXCEEDS AASHTO HS-20-44
LOADING REQUIREMENTS



FRAME SECTION

√ MACHINED SURFACE

EAST JORDAN
IRON WORKS, INC.
P.O. BOX 439
EAST JORDAN, MI. 49727
1-800-874-4100
FAX 231-536-4458

| | |
|----------|----------|
| DRAWN | DATE |
| TCL | 07/17/02 |
| APPROVED | DATE |

MANHOLE COVER

PRODUCT NO.
00204046

CATALOG NO.
2040C

REF. PRODUCT DRAWING
204021

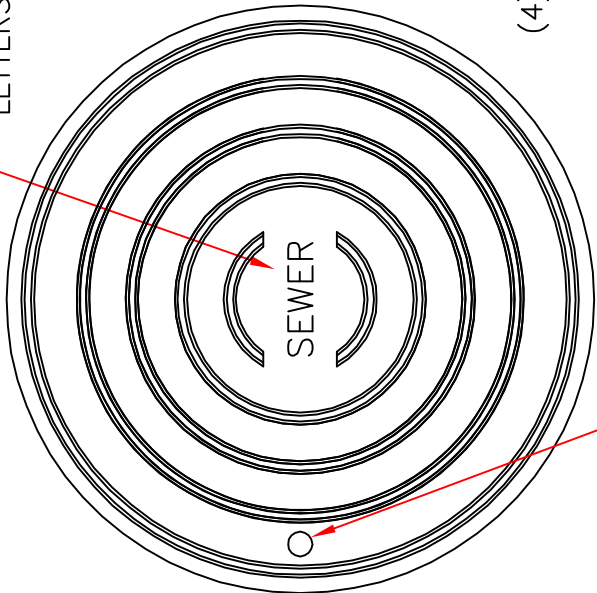
EST. WT.
COVER: 150 LBS 68kg

OPEN AREA
N/A

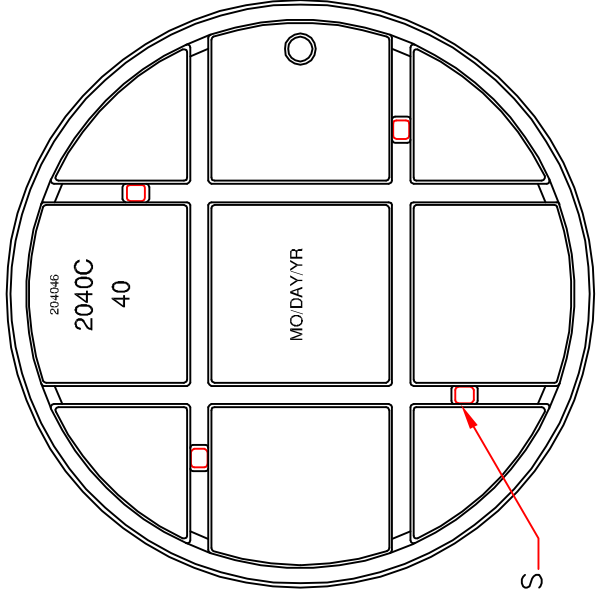
MAT'L SPEC.
COVER - GRAY IRON
ASTM A48 CL35

LOAD RATING
HEAVY DUTY
MEETS OR EXCEEDS AASHTO HS-20-44
LOADING REQUIREMENTS

1" [25mm] RAISED
LETTERS

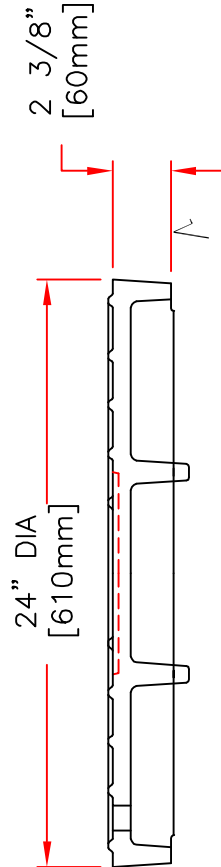


1" [25mm] DIA
PICKHOLE



BOTTOM VIEW
OF COVER

(4) STACKING LUGS



COVER SECTION

NOTE: SEAT IS MACHINED 1/8" [3mm] TO 2 3/8" [60mm] DIMENSION.

USED IN AMARILLO AREA ONLY, ALL OTHERS USE PICKBAR

✓ MACHINED SURFACE

EAST JORDAN
IRON WORKS, INC.
P.O. BOX 439
EAST JORDAN, MI. 49727
1-800-874-4100
FAX 231-536-4458

| | |
|----------|----------|
| DRAWN | DATE |
| TCL | 07/17/02 |
| APPROVED | DATE |

MANHOLE COVER

PRODUCT NO.
00204025

CATALOG NO.
2040A

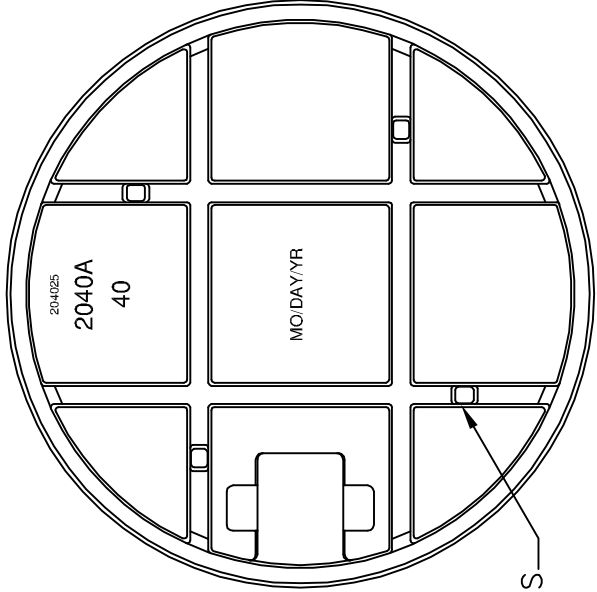
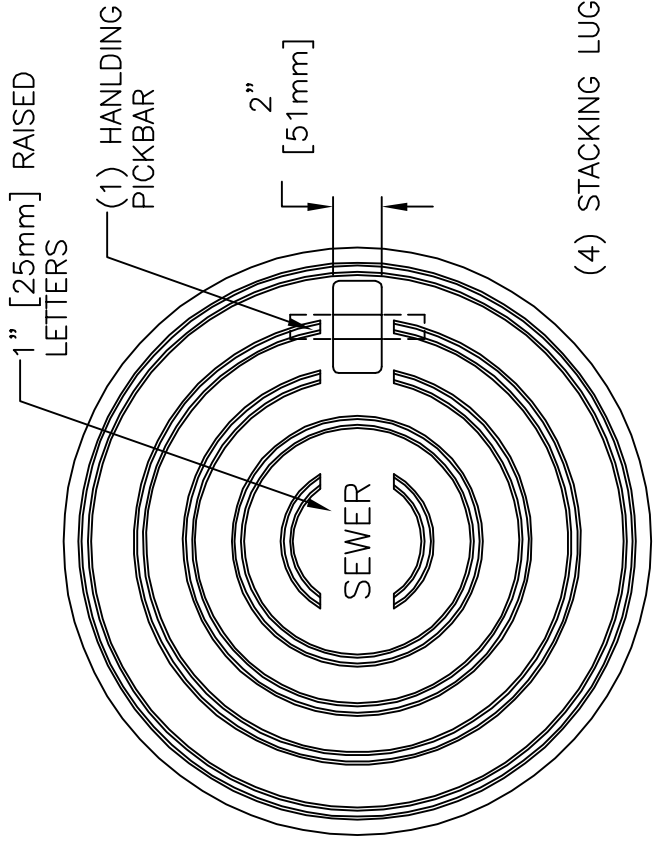
REF. PRODUCT DRAWING
204021

EST. WT.
COVER: 150 LBS 68kg

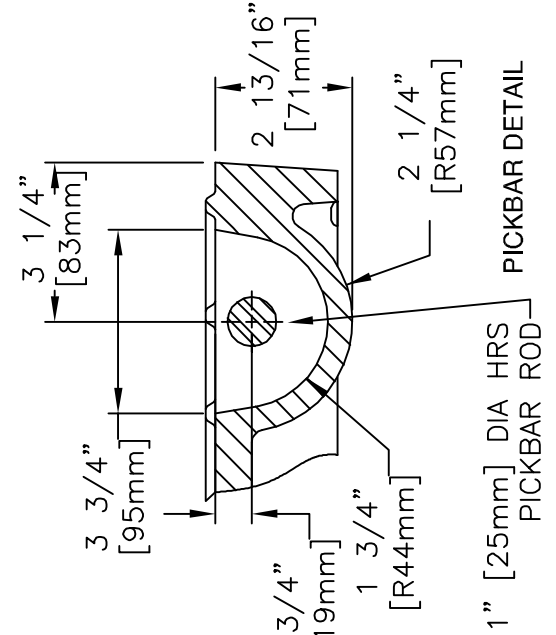
OPEN AREA
N/A

MAT'L SPEC.
COVER - GRAY IRON
ASTM A48 CL35

LOAD RATING
HEAVY DUTY
MEETS OR EXCEEDS AASHTO HS-20-44
LOADING REQUIREMENTS



BOTTOM VIEW OF COVER



COVER SECTION

USED IN TEXAS CITIES OTHER THAN AMARILLO

✓ MACHINED SURFACE