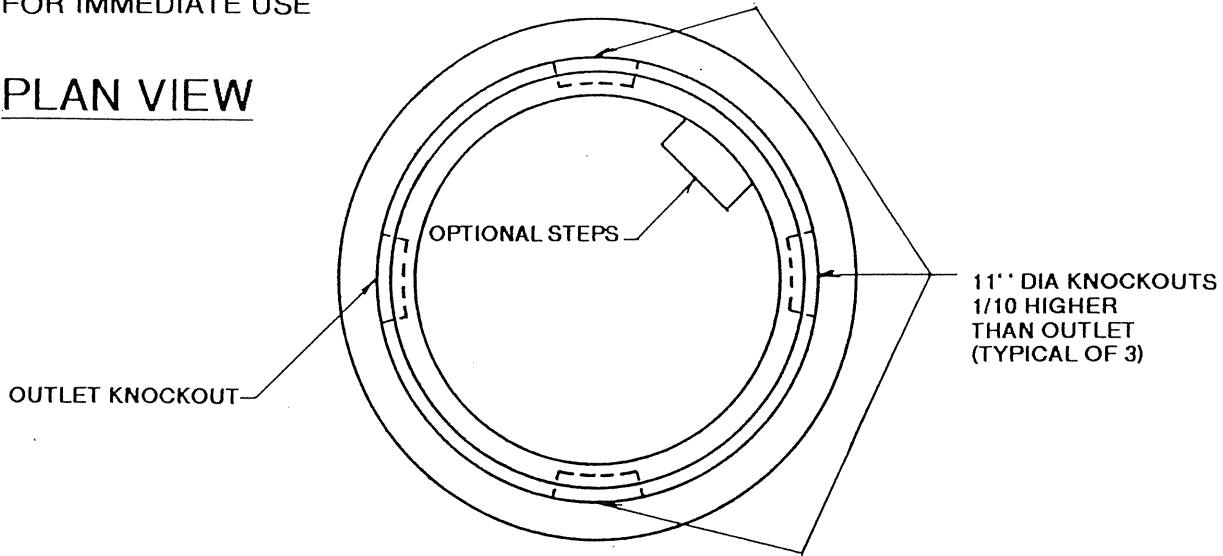


Precast Concrete

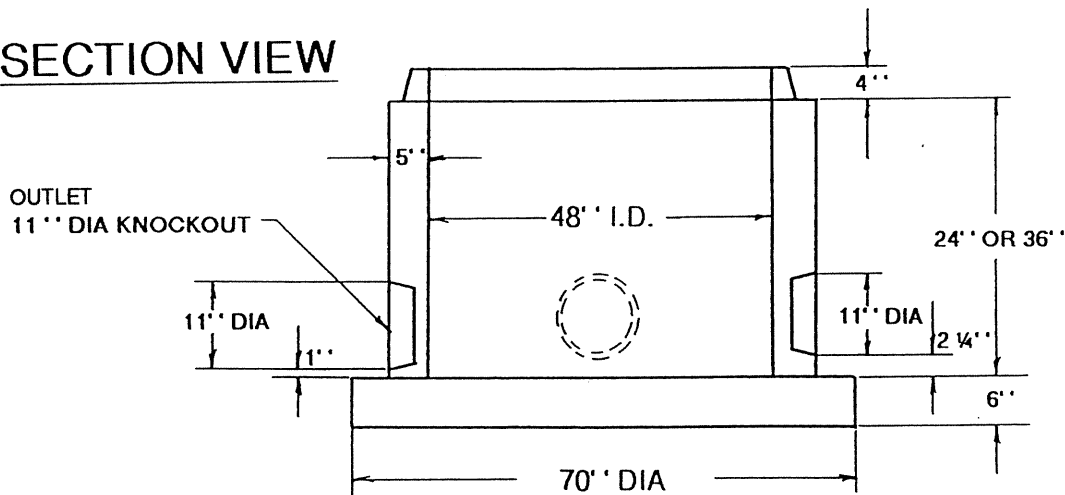
MANHOLE MONOLITHIC BASE WITH PREFORMED KNOCKOUTS

THIS IS A STOCK PRODUCT AVAILABLE FOR IMMEDIATE USE

PLAN VIEW



SECTION VIEW



Actual dimensions of concrete products may vary slightly

DRAWING IS NOT TO SCALE

Weight:

Base w/2 Ft. Riser - 3800 lbs

Base w/3 Ft. Riser - 4700 lbs

KNOCKOUTS ARE 3" DEEP WITHOUT REINFORCING IN REMAINING 2" OF CONCRETE TO ALLOW THE THIN SECTION TO BE KNOCKED OUT

KNOCKOUT PIPE OPENINGS CAN BE USED WITH OR WITHOUT BOOTS (RESILIENT CONNECTORS WHICH SATISFY ASTM C-923)

vaughn
concrete products, inc.

UPDATED 11/97

12650 Tucson Street • Henderson, Colorado 80640 • 303-659-3747, Fax 303-659-1333
2671 So. Greeley Hwy • Cheyenne, Wyoming 82007 • 307-634-0695, Fax 307-634-0694
10021 Amarillo Blvd. East • Amarillo, Texas 79107 • 806-374-3747, Fax 806-335-3717